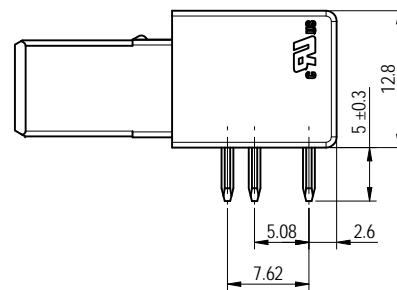
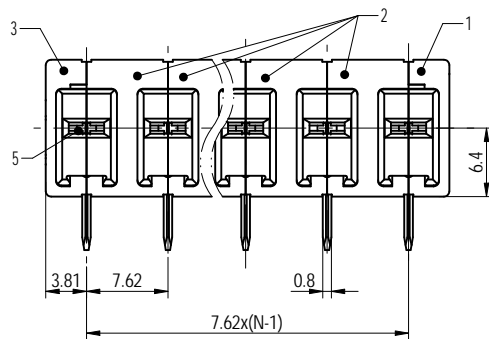
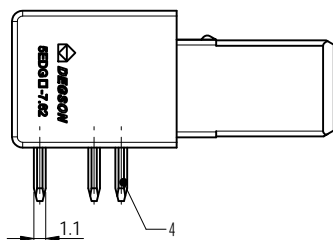
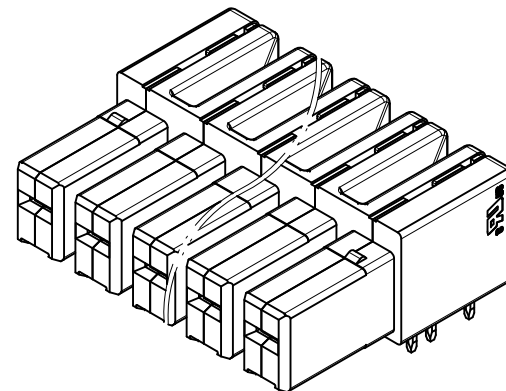
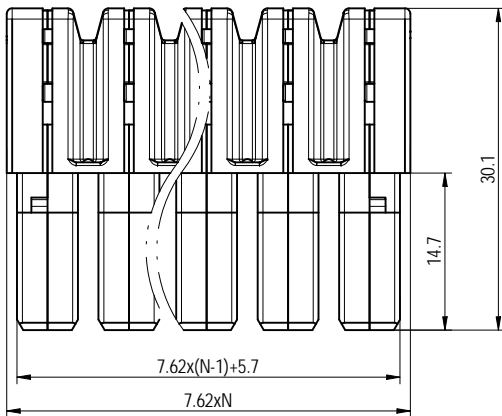


公差/General tolerances (mm)											D			
0	>3	>6	>10	>18	>30	>50	>80	>120	>180	>250	>315	>400	>500	0.1/10
~3	~6	~10	~18	~30	~50	~80	~120	~180	~250	~315	~400	~500	±2	
±0.12	±0.18	±0.22	±0.26	±0.31	±0.37	±0.57	±0.80	±0.93	±1.05	±1.15	±1.60	±2.20	±2.50	



ITEM	NAME OF PART	MATERIAL	NOTES
5	Spring	Stainless steel	/
4	Clamp	Copper alloy	Sn Plated
3	Side Housing2	PA66	UL94V-0
2	Mid Housing	PA66	UL94V-0
1	Side Housing1	PA66	UL94V-0
UL 标准/UL Standard:		B	C
额定电压/电压/Rated Voltage(V)/Current(A)		300/41	300/41
IEC 标准/IEC Standard:			D
过压类别/Overvoltage Category/污染等级/Pollution Degree		III/3	III/2
额定电压/电压/Rated Voltage(V)/Current(A)		630/41	800/41
额定脉冲电压(KV)/Rate Impulse Voltage(KV)		6	6
间距/Pitch(mm)/线数范围/Poles		7.62/N=02~12P	6
应用温度范围/Operating temperature(°C)		-40~+105	
符合RoHS环保要求/Conform to RoHS		Yes	

DEGSON		MATERIAL:	SURFACE/COLOR:		
APPD: 兰春华	2023.09.01	MAT NO./REV: -/00	MAT STATUS: 批量		
CHKD: 姜耀志	2023.09.01	NAME: 5EDGA-7.62-XXP-1Y-200Z(H)			
DRAFT: 周锦德	2023.08.31	DRAWING NO.:	TYPE:	DRAWING STATUS:	SCALE:
00	ECN	200021500	CUSTOMER DRAWING	已发布	1:1
REV	DESCRIPTION	DRFT	DATE	SHEET	1/1

Transfer or duplication of this document as well as the utilization of its contents without the written permission of DEGSON is prohibited. All rights reserved for patent. 未经授权复制或传播本文件以及其内容的使用，未经 DEGSON 书面许可，是严格禁止的。保留所有权利，侵权必究。