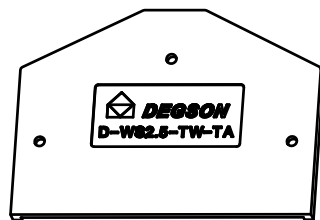
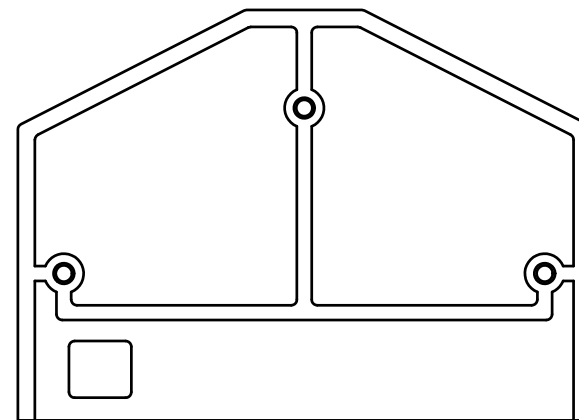
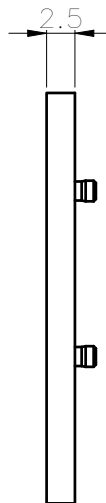
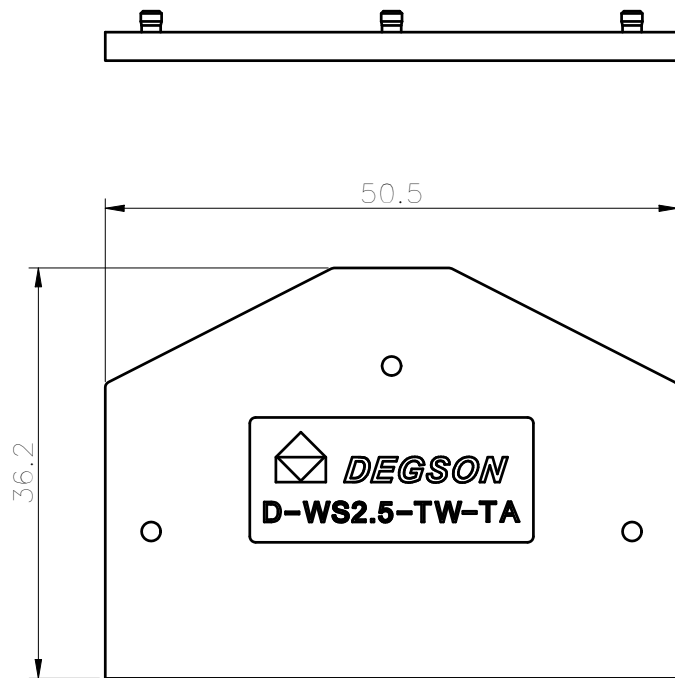


未注公差/General tolerances(mm)

0	>3	>6	>10	>18	>30	>50	>80	>120	>180	>250	>315	>400	>500	0.1/10 ±2'
~3	~6	~10	~18	~30	~50	~80	~120	~180	~250	~315	~400	~500	~500	
±0.12	±0.18	±0.22	±0.26	±0.31	±0.37	±0.57	±0.80	±0.93	±1.05	±1.15	±1.60	±2.20	±2.50	

Transfer or duplication of this document as well as the utilization or communication of its contents are prohibited unless explicit authorization is granted. Degson will be liable for compensation. All rights reserved for patent, utility model or designs registrations. 非经书面明确授权, 否则禁止转让、复制、利用、交流本文件的内容。一经发现侵权, 我们将依法追究。 本公司保留对涉及发明、实用新型和外观设计的所有权利。



使用温度范围/Operating temperature(°C)	-40~+105
符合RoHS环保要求/Conform to RoHS	Yes
阻燃等级/Flame class	UL94V-0

APPD: Peng M	2022.06.08	
CHKD: Gao WG	2022.06.08	
DRFT: Chen KZ	2022.06.08	
A4		

MATERIAL: PA66	SURFACE: /	
MAT. NO./REV: /	MAT STATUS: /	
NAME		
D-WS2.5-TW-TA-01P-1Y-00A(H)		
DRAWING NO.	TYPE	DRAWING STATUS
/	CUSTOMER DRAWING	/
SCALE	SHEET	
1.5:1	1/1	

00	/	/	Chen KZ	2022.06.08
REV	ECN	DESCRIPTION	DRFT	DATE