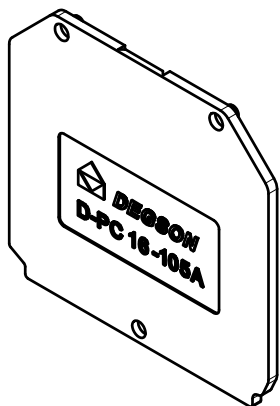
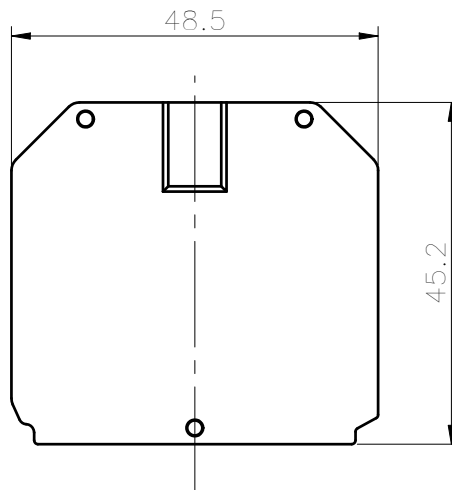
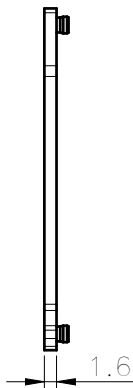
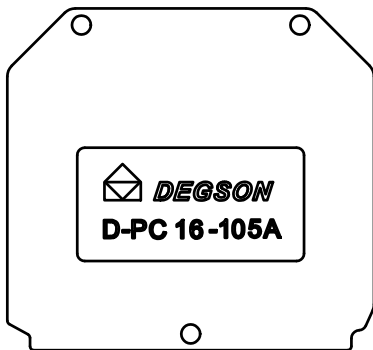


未注公差/General tolerances(mm)													
0	>3	>6	>10	>18	>30	>50	>80	>120	>180	>250	>315	>400	0.1/10 ±2'
~3	~6	~10	~18	~30	~50	~80	~120	~180	~250	~315	~400	~500	
±0.12	±0.18	±0.22	±0.26	±0.31	±0.37	±0.57	±0.80	±0.93	±1.05	±1.15	±1.60	±2.20	±2.50



使用温度范围/Operating temperature(°C)	-40~+105
符合 RoHS 环保要求/Conform to RoHS	Yes
阻燃等级/Flame class	UL94-V0

APPD:	Peng M	2022.06.08
CHKD:	Gao WG	2022.06.08
DRFT:	Chen KZ	2022.06.08

MATERIAL: PA66	SURFACE: /
MAT. NO./REV: /	MAT STATUS: /
NAME D-PC16-01P-1Y-105A(H)	

00	/	/	Chen KZ	2022.06.08
REV	ECN	DESCRIPTION	DRFT	DATE

	A4		/	CUSTOMER DRAWING	/	SCALE 2:1	SHEET 1/1
--	----	--	---	------------------	---	--------------	--------------

Transfer or duplication of this document as well as the utilization or communication of its contents are prohibited unless explicit authorization is granted. DEGSON will be liable for compensation. All rights reserved for patent, utility, model or designs registrations. 非经书面明确授权, 否则禁止转让、复制、利用、交加本文件的内容。侵犯者将承担赔偿责任。本公司保留对涉及发明、实用新型和外观设计的所有权利。