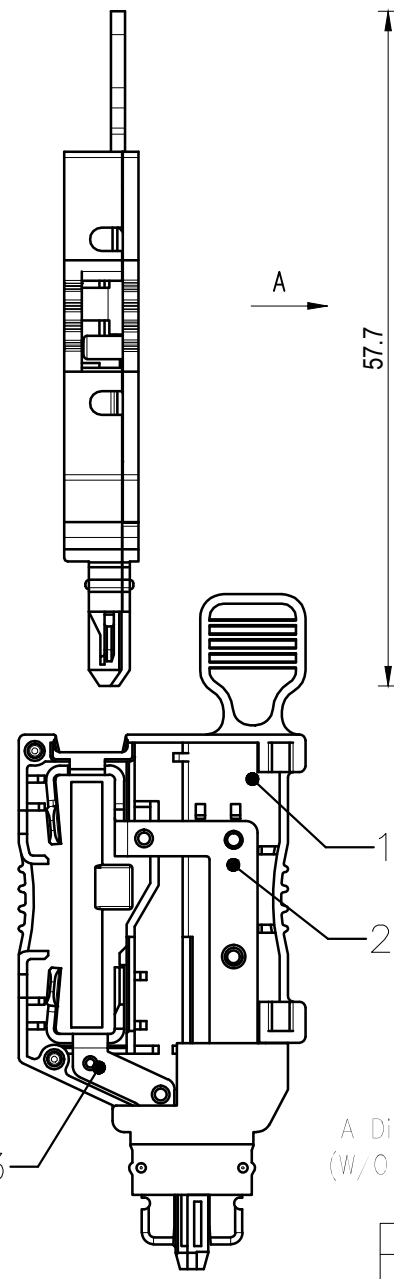
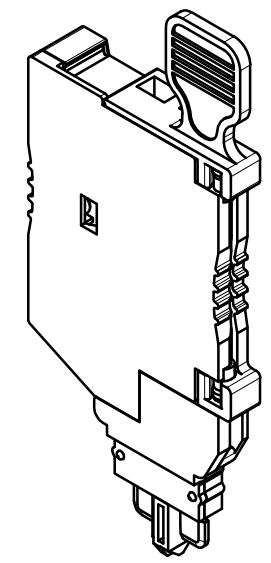
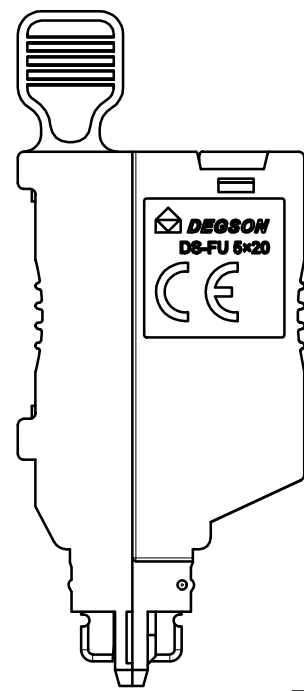
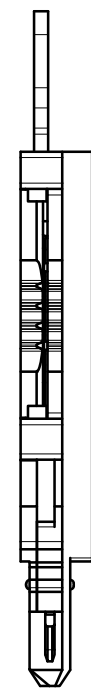
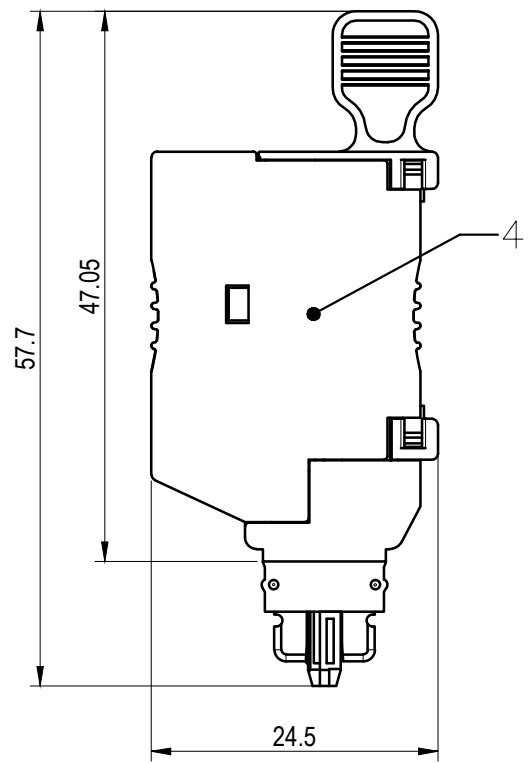
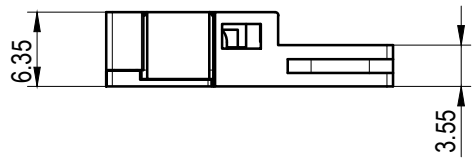


未注公差/General tolerances(mm)														
0	>3	>6	>10	>18	>30	>50	>80	>120	>180	>250	>315	>400	0.1/10	
~3	~6	~10	~18	~30	~50	~80	~120	~180	~250	~315	~400	>500		
±0.12	±0.18	±0.22	±0.26	±0.31	±0.37	±0.57	±0.80	±0.93	±1.05	±1.15	±1.60	±2.20	±2.50	±2'



A Direction
(W/O Cover)

ITEM	NAME OF PART	MATERIAL	NOTES
4	Cover	PA66	UL94V-0
3	Current carrier 2	Copper	Sn plated
2	Current carrier 1	Copper	Sn plated
1	Housing	PA66	UL94V-0

UL 标准/UL Standard:	B	C	D
额定电压/电流/Rated Voltage(V)/Current(A)	300V/6.3	/	/
IEC 标准/IEC Standard:	III/3	III/2	II/2
过压类别/Overvoltage Category/污染等级/Pollution Degree	III/3	III/2	II/2
额定电压/电流/Rated Voltage(V)/Current(A)	400/6.3	/	/
额定脉冲电压(KV)/Rate Impulse Voltage(KV)	/	/	/
间距/Pitch(mm)/线数范围/Poles	5.2/01P		
使用温度范围/Operating temperature(°C)	-40~+105		
符合RoHS环保要求/Conform to RoHS	Yes		

		MATERIAL:	SURFACE/COLOR:		
APPD: LGL 2022.03.28		MAT NO./REV:	MAT STATUS:		
CHKD: MEK 2022.03.28		NAME			
DRFT: WLX 2022.03.28		DS-FU5-01P-13-00A(H)			
DRAWING NO. 200061997		TYPE	DRAWING STATUS	SCALE	SHEET
A4		CUSTOMER DRAWING	work	1.5:1	1/1

REV	ECN	DESCRIPTION	DRFT	DATE
00				

Transfer or duplication of this document as well as the utilization or communication of its contents are prohibited unless explicit authorization is granted. Violations will be liable for compensation. All rights reserved for patent, utility model or designs registrations. 未经授权，不得复制或传播本文件内容，否则，侵权，侵权人将承担法律责任。本公司保留对专利、实用新型、外观设计等权利的保留。