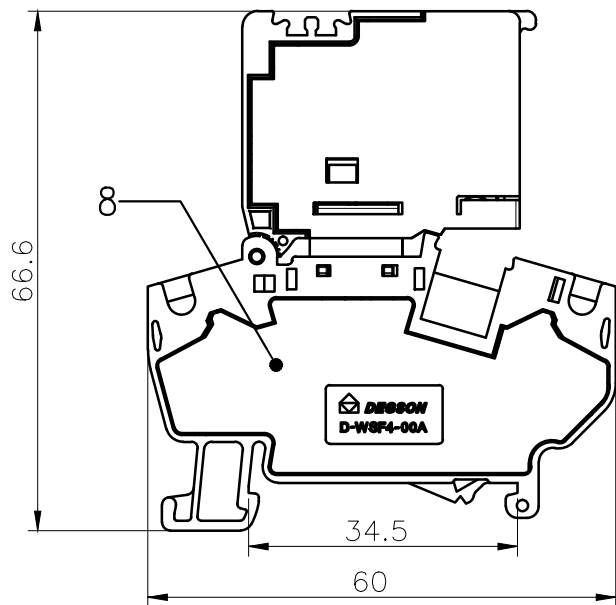
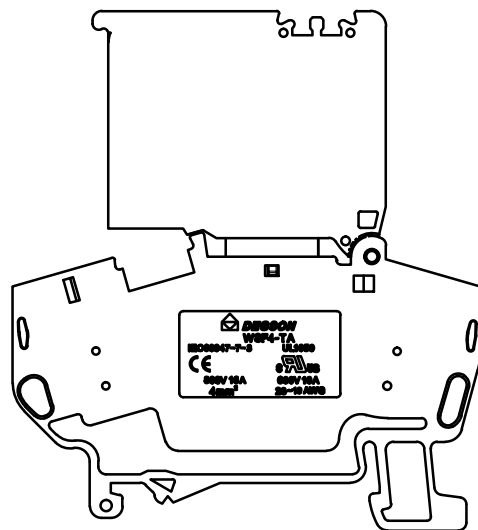
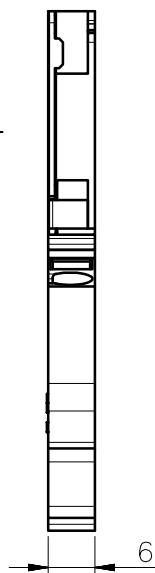


未注公差, General tolerances(mm)													0.1/0 /±2'
0	>3	>6	>10	>18	>30	>50	>80	>120	>180	>250	>315	>400	
±0.12	±0.18	±0.22	±0.26	±0.31	±0.37	±0.57	±0.80	±0.95	±1.05	±1.15	±1.60	±2.20	±2.50



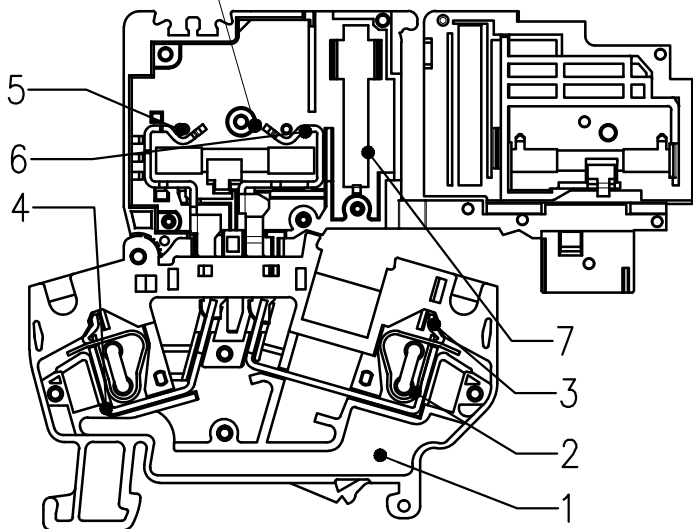
A



Fuse: 5x20

GB/T9364.2-2018

(W/O Cover)



ITEM	NAME OF PART	MATERIAL	NOTES
8	Cover	PA66	UL94V-0
7	Fuse Housing	PA66	UL94V-0
6	Current carrier 4	Copper alloy	Sn plated
5	Current carrier 3	Copper alloy	Sn plated
4	Current carrier 2	Copper	Sn plated
3	Current carrier 1	Copper	Sn plated
2	Spring	Stainless steel	/
1	Housing	PA66	UL94V-0

UL 标准/UL Standard:	B	C	D
额定电压/电流/Rated Voltage(V)/Current(A)	600/10	600/10	
EC 标准/IEC Standard:			
过压类别/Overvoltage Category/污染等级/ Pollution Degree	III/3	/	/
额定电压/电流/Rated Voltage(V)/Current(A)	800/10	/	/
额定脉冲电压(KV)/Rate Impulse Voltage(KV)	8.0	/	/
保险丝/Fuse	5x20 10A		
线径范围(硬线和软线)/Wire Range(rigid and flexible)(mm ² /AWG)	0.2~4.0/28~10		
间距/Pitch(mm)	6.0		
剥线长度/Stripping length(mm)	10~12		
使用温度范围/Operating temperature(°C)	-40~+105		
符合RoHS环保要求/Conform to RoHS	Yes		
标准颜色编号/Standard color number: PANTONE / RAL	/		

			MATERIAL:		SURFACE/COLOR:	
A*P.D: Li GL 2021.12.17			MAT NO./REV:11030000691-1/ 01		MAT STATUS: 批量	
C.H.D: Ma EK 2021.12.14			NAME: WSF4-TA-01P-1Y-10A(H)			
D.DFT: WANG LX 2021.12.14			DRAWING NO. 200049817		TYPE	
REV			DESCRIPTION		DRAWING STATUS work	
ECN			DRFT		SCALE 1:1	
			DATE		SHEET 1/1	

In view of our company's strict requirements on the quality of our products, we will not be responsible for any damage caused by the use of our products without our written consent. Please refer to the relevant technical specifications and standards for the use of our products.