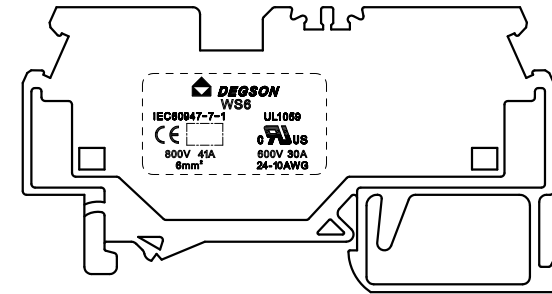
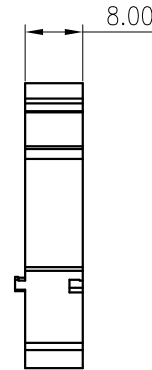
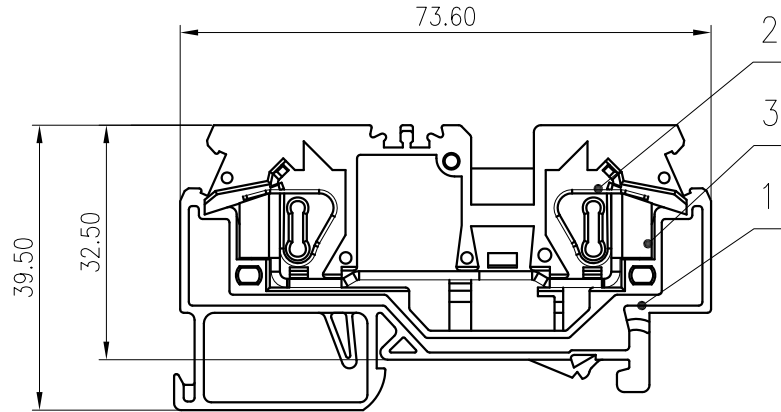


| 未注公差/General tolerances(mm) | | | | | | | | | | | | | 0.1/10 ±Z' | |
|-----------------------------|--------------|---------------|----------------|----------------|----------------|----------------|-----------------|------------------|------------------|------------------|------------------|------------------|---------------|------|
| 0 ~ 3 | >3 ~ 6 | >6 ~ 10 | >10 ~ 18 | >18 ~ 30 | >30 ~ 50 | >50 ~ 80 | >80 ~ 120 | >120 ~ 180 | >180 ~ 250 | >250 ~ 315 | >315 ~ 400 | >400 ~ 500 | | >500 |
| ±0.12 | ±0.18 | ±0.22 | ±0.26 | ±0.31 | ±0.37 | ±0.57 | ±0.80 | ±0.93 | ±1.05 | ±1.15 | ±1.60 | ±2.20 | ±2.50 | |



| | | | |
|---|------------------|--------|-------|
| UL 标准/UL Standard: | B | C | D |
| 额定电压/电流/Rated Voltage(V)/Current(A) | 600/30 | 600/30 | 600/5 |
| IEC 标准/IEC Standard: | | | |
| 过压类别/Overvoltage Category/污染等级/Pollution Degree | III/3 | / | / |
| 额定电压/电流/Rated Voltage(V)/Current(A) | 800/41 | / | / |
| 额定脉冲电压(KV)/Rate Impulse Voltage(KV) | 8.0 | / | / |
| 线径范围(硬线和软线)/Wire Range(rigid and flexible)(mm²/AWG) | 0.2~6/24~10(Stl) | | |
| 间距/Pitch(mm) | 8.0 | | |
| 剥线长度/Stripping length(mm) | 12~13 | | |
| 使用温度范围/Operating temperature(°C) | -40~+105 | | |
| 符合RoHS环保要求/Conform to RoHS | Yes | | |
| 标准颜色编号/Standard color number: PANTONE / RAL | / | | |

| | | | |
|--------------------------|---|------------|-----------|
| MATERIAL: / | SURFACE: / | | |
| MAT NO.: / | 宁波高松电子有限公司 NINGBO DEGSON ELECTRICAL CO., LTD | | |
| STATUS: / | | | |
| APPD: Li GL 2020.05.29 | NAME: WS6-01P-1Y-00A(H) | | |
| CHKD: Mao J 2020.05.29 | DRAWING NO.: WS6-C01 | | |
| DRFT: Wang Y2 2020.05.29 | REV | TO | |
| SIZE: A4 | TYPE: CUSTOMER DRAWING | SCALE: 1:1 | SHEET 1/1 |

| 3 | Current Carrier | Copper | Sn Plated |
|------|-----------------|-----------------|-----------|
| 2 | Spring | Stainless Steel | |
| 1 | Housing | PA66 | UL94V-0 |
| ITEM | NAME OF PART | MATERIAL | NOTES |