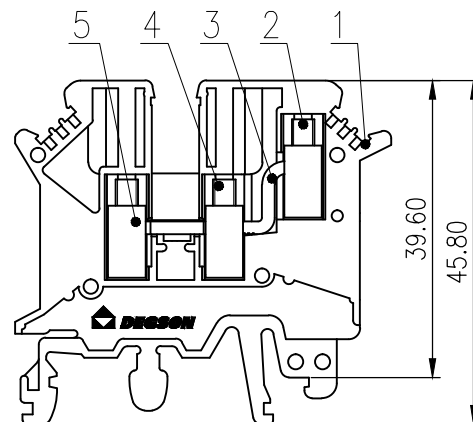
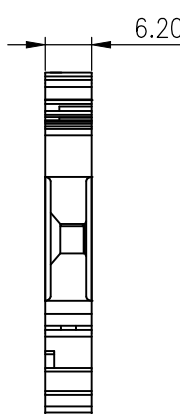
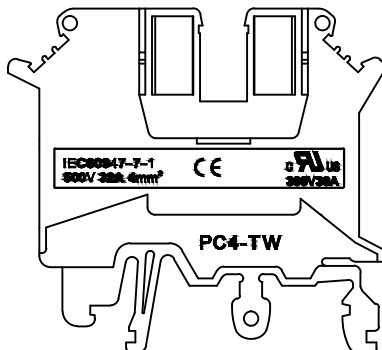
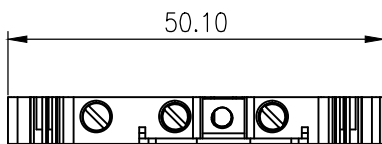


未注公差/General tolerances(mm)														
0	>3	>6	>10	>18	>30	>50	>80	>120	>180	>250	>315	>400	0.1/10	
~3	~6	~10	~18	~30	~50	~80	~120	~180	~250	~315	~400			
±0.12	±0.18	±0.22	±0.26	±0.31	±0.37	±0.57	±0.80	±0.93	±1.05	±1.15	±1.60	±2.20	±2.50	±Z



5	Cage	Copper alloy	M3/Ni Plated
4	Screw	Copper alloy	M3/Ni Plated
3	Current Carrier	Copper	Sn Plated
2	Screw	Copper alloy	Ni Plated
1	Housing	PA66	UL94V-0

ITEM	NAME OF PART	MATERIAL	NOTES	
UL 标准/UL Standard:		B	C	D
额定电压/电流/Rated Voltage(V)/Current(A)		300/30	/	300/10
IEC 标准/IEC Standard:				
过压类别/Overvoltage Category/污染等级/Pollution Degree		III/3	/	/
额定电压/电流/Rated Voltage(V)/Current(A)		500/32	/	/
额定脉冲电压(KV)/Rate Impulse Voltage(KV)		6.0	/	/
螺丝扭矩/Torque Tightening(N·m/Lb.in)		M3, 0.5/4.43		
线径范围(硬线和软线)/Wire Range(rigid and flexible)(mm²/AWG)		0.2-4mm² 30-10AWG		
间距/Pitch(mm)/线数范围/Poles		6.20		
剥线长度/Stripping length(mm)		8-10		
使用温度范围/Operating temperature(°C)		-40~+105		
符合RoHS环保要求/Conform to RoHS		Yes		
标准颜色编号/Standard color number: PANTONE / RAL		/		

MATERIAL:		SURFACE:					
MAT NO.:	/	宁波高松电子有限公司 NINGBO DEGSON ELECTRICAL CO., LTD					
STATUS:	/						
APPD:	Li GL 2020.04.03	NAME:					
CHKD:	Mao J 2020.04.03	PC4-TW-01P-1Y-00A(H)					
DRFT:	XLM 2014.03.15	DRAWING NO.:	PC4-TW-C01	REV	T0		
SIZE: A4		TYPE:	CUSTOMER DRAWING	SCALE:	1:1	SHEET	1/1

REV	ECN	DESCRIPTION	DRFT	DATE