

Pitch range in mm		Nominal dimension range in mm						
to 6	over 6 to 10	over 10 to 24	to 30	over 30 to 60	over 60 to 100	over 100 to 150	over 150	
± 0.10	± 0.15	± 0.25	± 0.2	± 0.3	± 0.5	± 0.7	± 1.0	
							0.05/10	

A

A

B

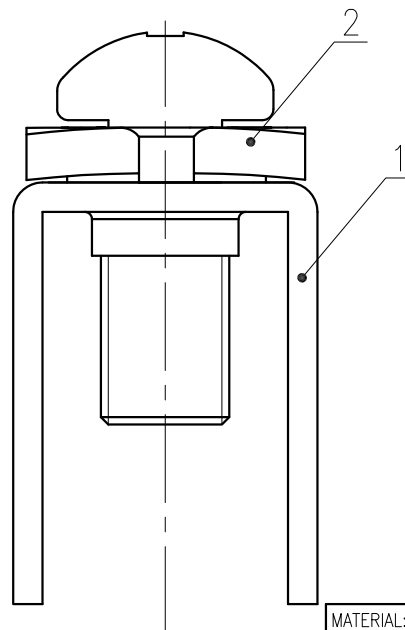
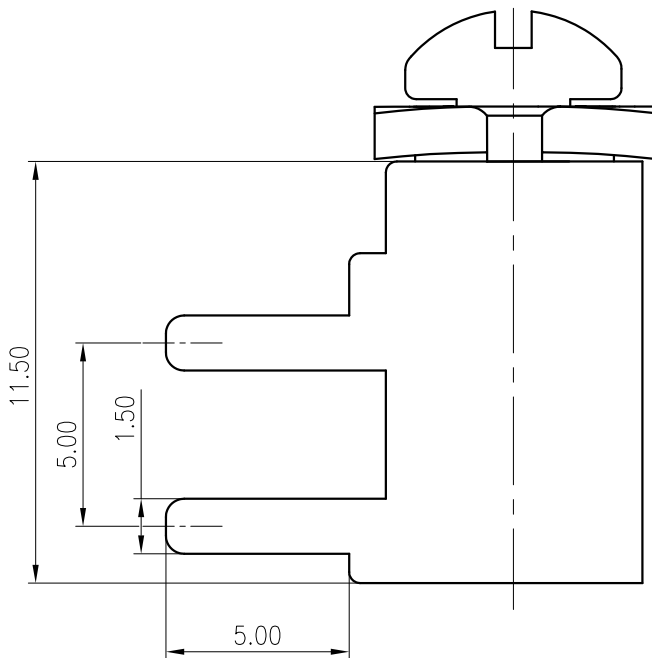
B

C

C

D

D



2	Screw	Steel	M3.5/Ni Plated
1	Pin header	Copper alloy	Sn Plated
ITEM	NAME OF PART	MATERIAL	NOTES
额定电流/Rated Current(A)			26
螺丝扭矩/Torque Tightening(N·m/Lb.in)			M3.5, 0.8/7.02
线径范围/Wire Range(AWG)			18~14
符合RoHS环保要求/Conform to RoHS			Yes

MATERIAL:	/	SURFACE:	/
MAT NO.:	/	宁波高松电子有限公司 NINGBO DEGSON ELECTRICAL CO., LTD	
STATUS:	/		
APPD: Zhu WM 2020.04.13	NAME: K15-00A(H)		
CHKD: Gao WG 2020.04.13	DRAWING NO.: K15-C01		
DRFT: LHM 2018.05.31	TYPE: CUSTOMER DRAWING		REV TO
⊕	SIZE: A4	SCALE: 5:1	SHEET 1/1

REV	ECN	DESCRIPTION	DRFT	DATE