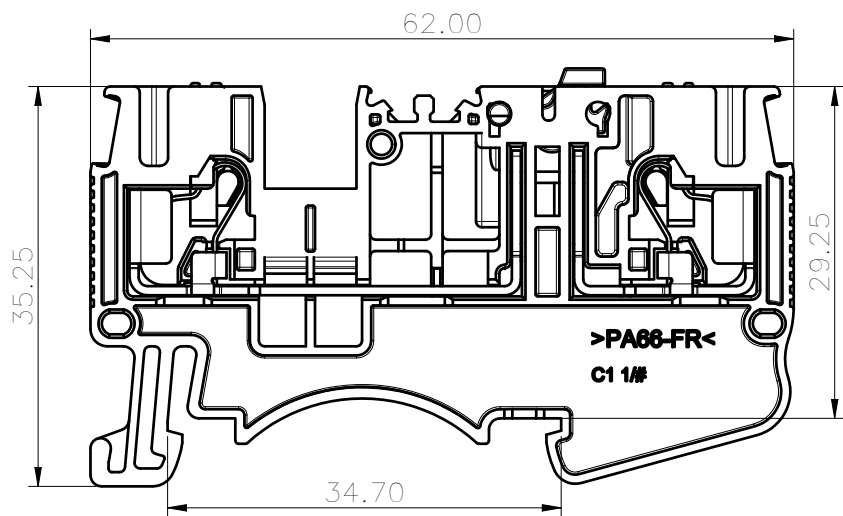
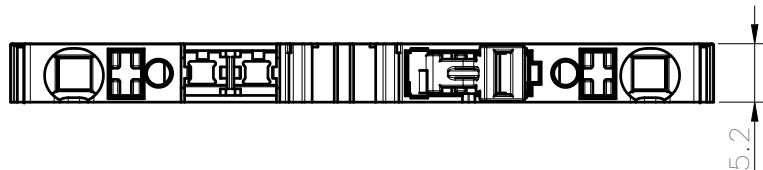
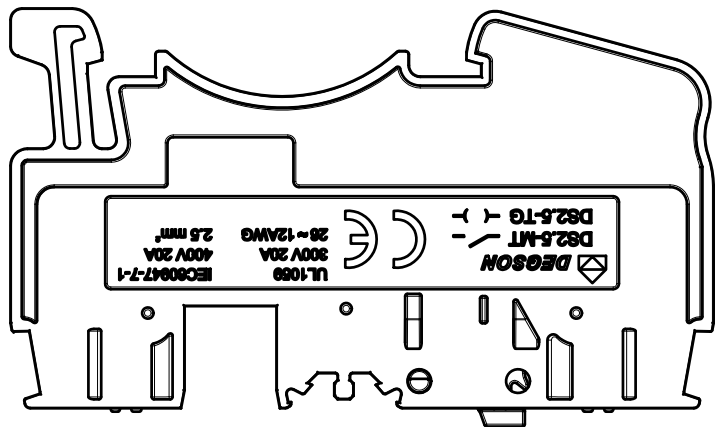
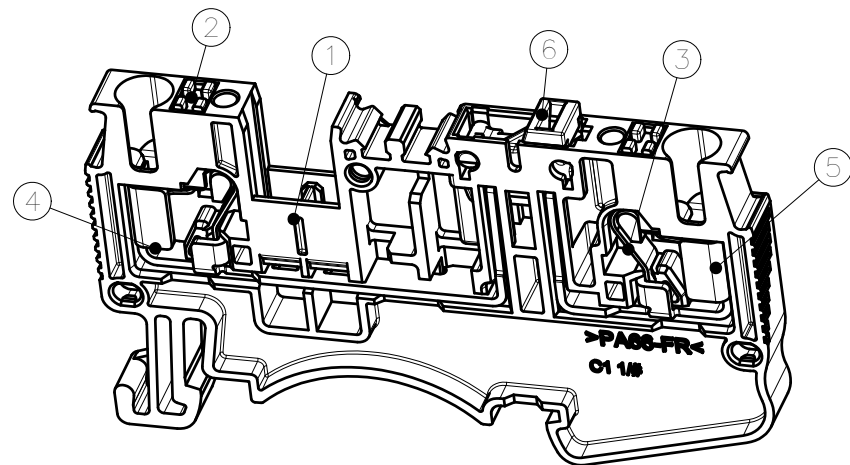


Transfer or duplication of this document as well as the utilization or communication of its contents are prohibited unless consent, authorization or specific measures will be taken for compensation. All rights reserved for patent, utility model or design registrations. 非经许可擅自复制或传播, 否则禁止转让、复制、利用、交本文件内容, 一经发现将追究法律责任。本公司保留对涉及发明、实用新型和外观设计的所有权利。



未注公差/General tolerances(mm)													
0	>3	>6	>10	>18	>30	>50	>80	>120	>180	>250	>315	>400	0.1/10 ±2'
~3	~6	~10	~18	~30	~50	~80	~120	~180	~250	~315	~400	~500	
±0.12	±0.18	±0.22	±0.26	±0.31	±0.37	±0.57	±0.80	±0.93	±1.05	±1.15	±1.60	±2.20	±2.50

UL 标准/UL Standard:	B	C	D
额定电压/电流/Rated Voltage(V)/Current(A)	300V/20	300/20	600/5
EC 标准/IEC Standard:			
过压类别/Overvoltage Category/污染等级/Pollution Degree	III/3	III/2	II/2
额定电压/电流/Rated Voltage(V)/Current(A)	400/20	/	/
额定脉冲电压(KV)/Rate Impulse Voltage(KV)	6	/	/
线径范围(硬线和软线)/Wire Range(rigid and flexible)(AWG/mm²)	26~12/0.2~2.5&4(SOL)		
间距/Pitch(mm)/线数范围/Poles	5.2/N=01P		
剥线长度/Stripping length(mm)	10~12		
使用温度范围/Operating temperature(°C)	-40~+105		
符合 RoHS 环保要求/Conform to RoHS	Yes		
标准颜色编号/Standard color number: PANTONE / RAL	/		



ITEM	NAME OF PART	MATERIAL	NOTES
6	Knife Switch	/	/
5	Current carrier 2	Copper	Sn Plated
4	Current carrier 1	Copper	Sn Plated
3	Spring	Stainless steel	/
2	Button	PA66+GF%	UL94V-0
1	Housing	PA66	UL94V-0

		MATERIAL: /	SURFACE: /	
		MAT NO./REV: /	MAT STATUS: /	
APPD: LiGL	2021.11.18	NAME		
CHKD: MaEK	2021.11.18	DS2.5-MT-01P-1Y-00A(H)		
DRFT: HuangS	2021.11.18	DRAWING NO.	TYPE	DRAWING STATUS
		/	CUSTOMER DRAWING	/
			SCALE	SHEET
			1.5:1	1/1

REV	ECN	DESCRIPTION	DRFT	DATE
00	/	/	HuangS	2021.11.18