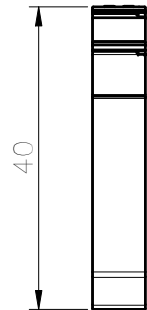
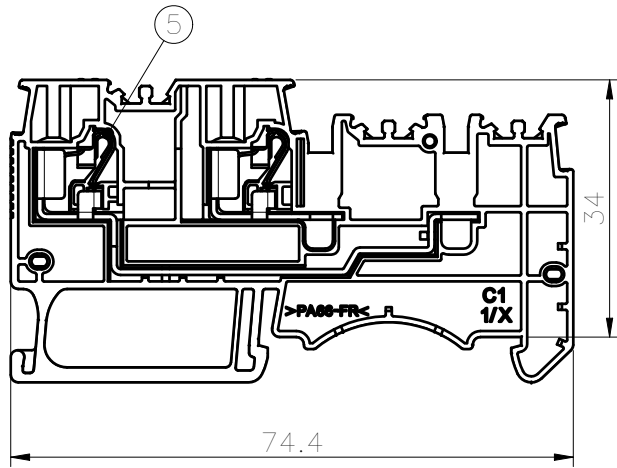
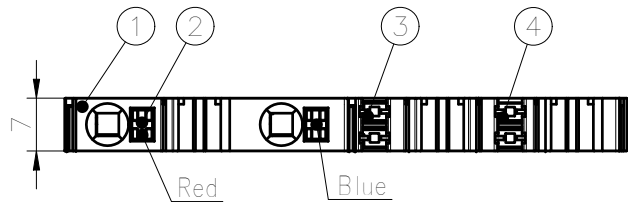
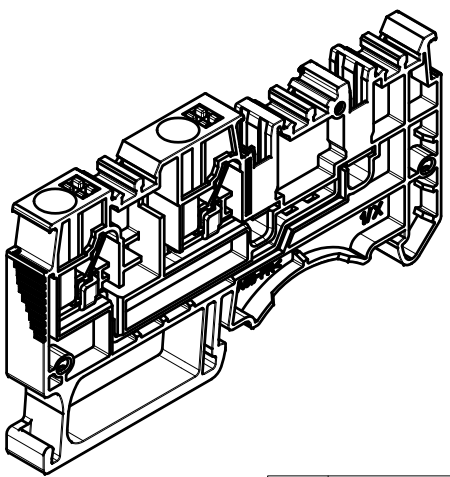
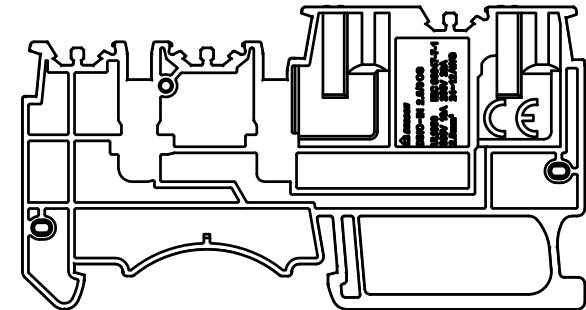


Transfer or duplication of this document as well as the utilization or communication of its contents are prohibited unless written authorization is granted. Customers will be liable for compensation. All rights reserved for patent, utility model or design registrations. 非经书面明确授权, 否则禁止转让、复制、利用、交还本文件的内容。侵犯者将负赔偿责任。本公司保留对涉及发明、实用新型和外观设计的所有权利。



未注公差/General tolerances(mm)											0.1/10 ±2'		
0 ~ 3	>3 ~ 6	>6 ~ 10	>10 ~ 18	>18 ~ 30	>30 ~ 50	>50 ~ 80	>80 ~ 120	>120 ~ 180	>180 ~ 250	>250 ~ 315		>315 ~ 400	>400 ~ 500
±0.12	±0.18	±0.22	±0.26	±0.31	±0.37	±0.57	±0.80	±0.93	±1.05	±1.15	±1.60	±2.20	±2.50

UL 标准/UL Standard:		B	C	D
额定电压/电流/Rated Voltage(V)/Current(A)		300V/10	150/16	300/10
IEC 标准/IEC Standard:				
过压类别/Overvoltage Category/污染等级/Pollution Degree		III/3	III/2	II/2
额定电压/电流/Rated Voltage(V)/Current(A)		250/20	/	/
额定脉冲电压(KV)/Rate Impulse Voltage(KV)		4	/	/
线径范围(硬线和软线)/Wire Range(rigid and flexible)(AWG/mm ²)		26~12 /0.2~2.5mm ² & 4mm ² sol		
间距/Pitch(mm)		7.0		
剥线长度/Stripping length(mm)		11~12		
使用温度范围/Operating temperature(°C)		-40~+105		
符合RoHS环保要求/Conform to RoHS		Yes		



5	Spring	Stainless steel	/
4	Current carrier 2	Copper	Sn Plated
3	Current carrier 1	Copper	Sn Plated
2	Button 1	PA66+GF%	UL94V-0
1	Housing	PA66	UL94V-0
ITEM	NAME OF PART	MATERIAL	NOTES

		MATERIAL: /		SURFACE: /	
		MAT. NO./REV: /		MAT STATUS: /	
APPD: LiGL	2022.06.13	NAME			
CHKD: MaEK	2022.06.13	DSIO-IN 2.5/3 OG			
DRFT: YanH	2022.06.13				
DRAWING NO.	TYPE	DRAWING STATUS	SCALE	SHEET	
/	CUSTOMER DRAWING	/	1:1	1/1	

00	/	/	YanH	2022.06.13
REV	ECN	DESCRIPTION	DRFT	DATE