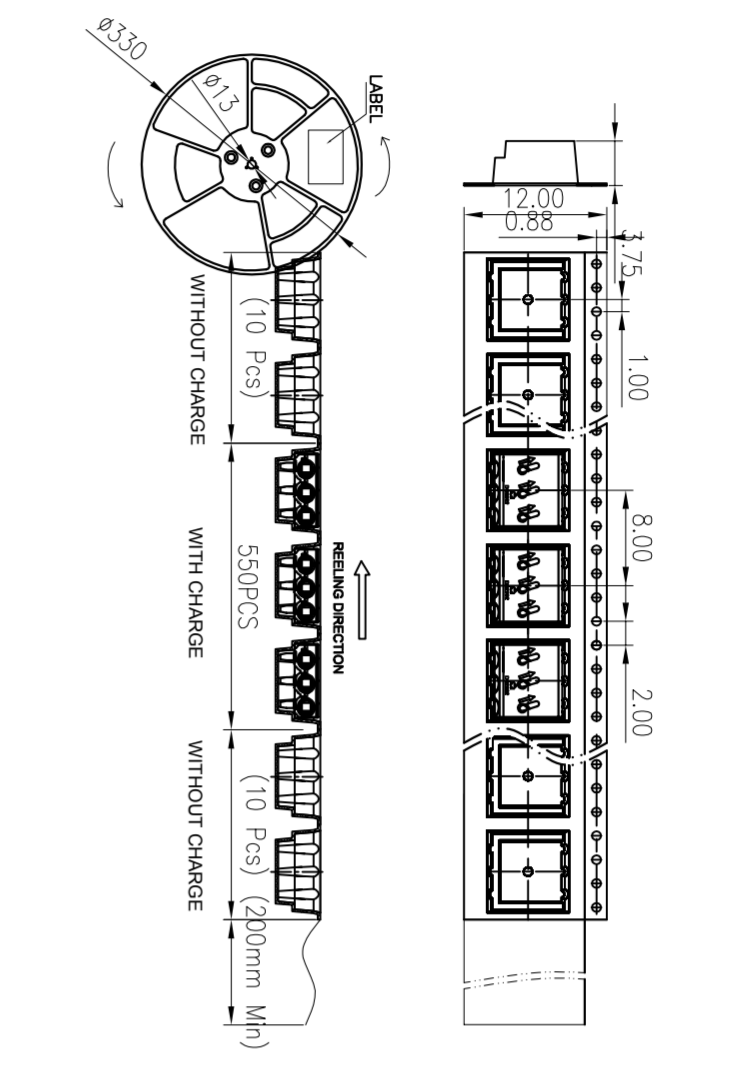
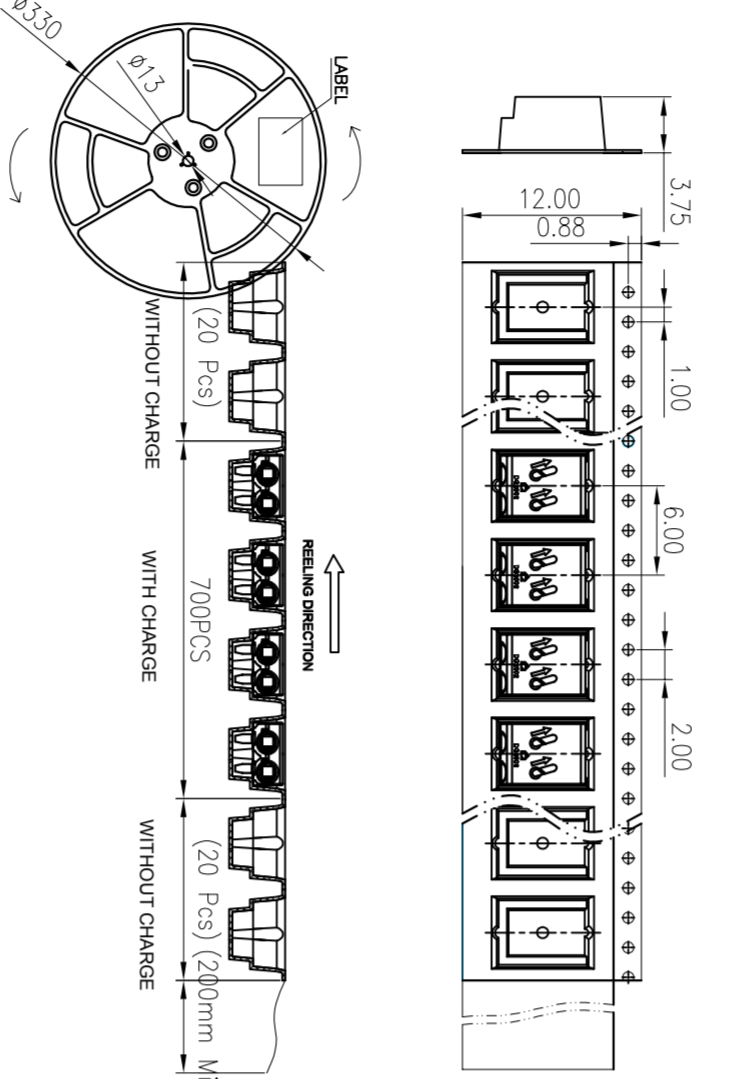


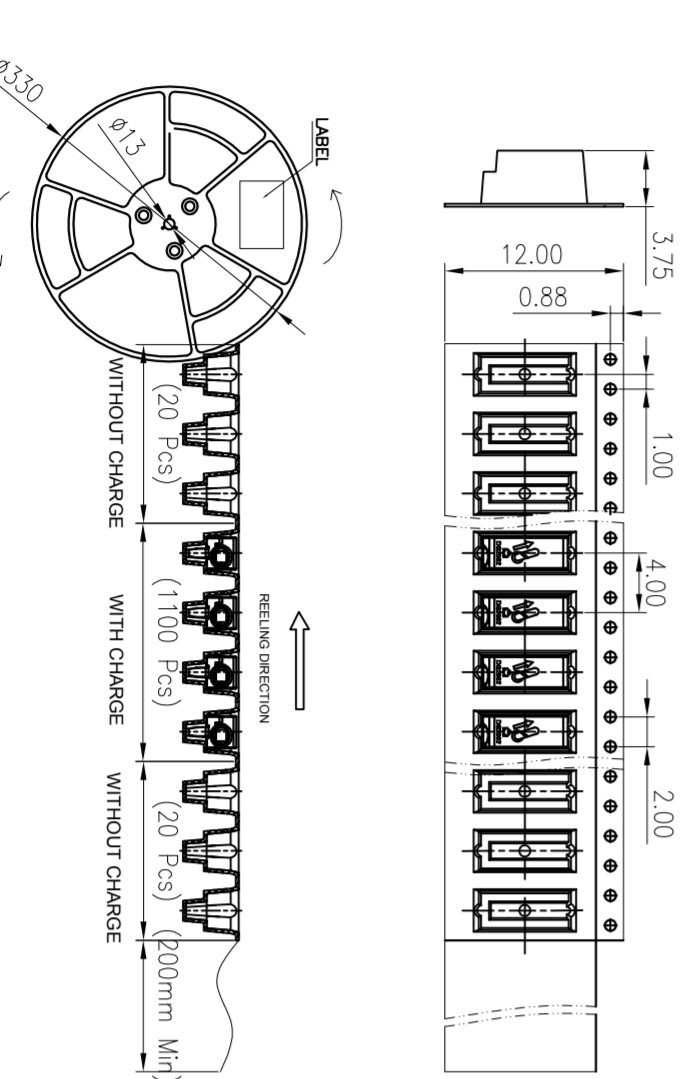
0	>3	>6	>10	>18	>30	>50	>80	>120	>180	>250	>315	>400	>500	0.1/10
~	~	~	~	~	~	~	~	~	~	~	~	~	~	±2°
±0.12	±0.18	±0.22	±0.26	±0.31	±0.37	±0.57	±0.80	±0.93	±1.05	±1.15	±1.60	±2.20	±2.50	



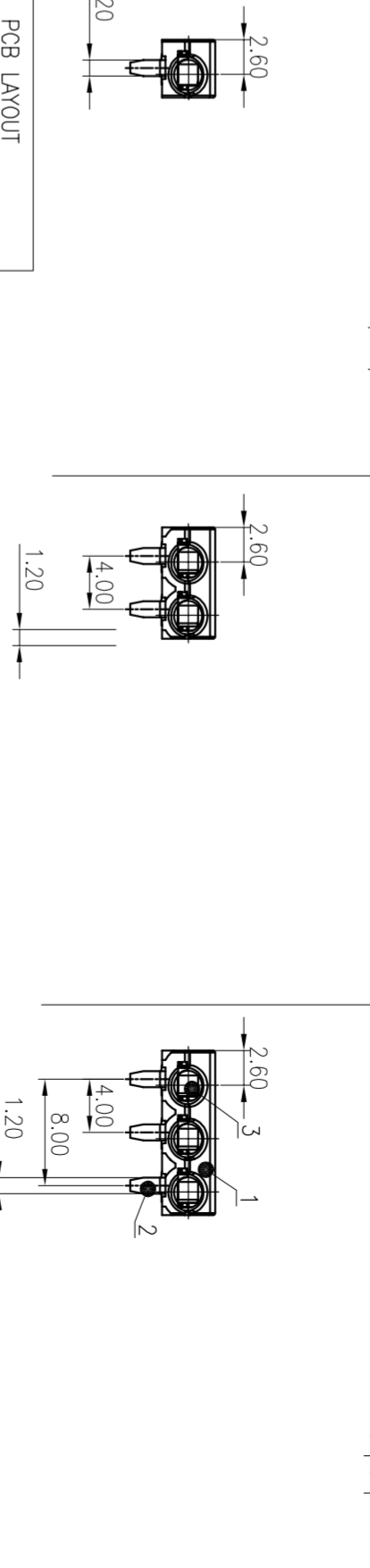
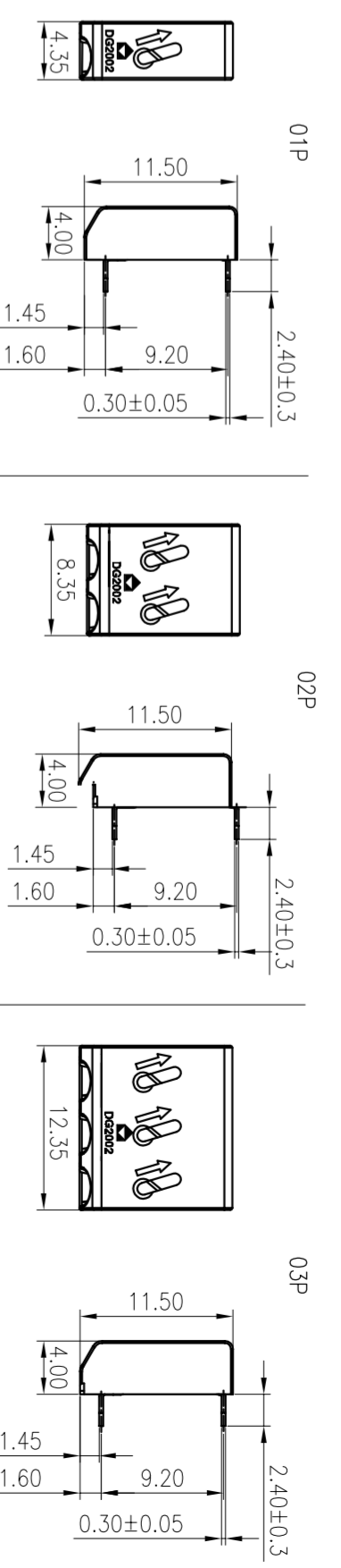
SCALE 1:1



SCALE 1:1



SCALE 1:1



ITEM	NAME OF PART	MATERIAL	NOTES
1	Housing	LCP	UL94V-0
2	Pin header	Copper alloy	Sn plated
3	Spring	Stainless steel	/

MATERIAL:	/
MAT NO.:	/
STATUS:	/
APPD:	ZhuMM 2021.03.22
CHKD:	CaolB 2021.03.22
DRT:	MJN 2017.05.10
NAME:	DG2002-4.0-XXP-1Y-300R(H)
DRAWING NO.:	DG2002-4.0-C09
TYPE:	CUSTOMER DRAWING
SCALE:	2:1
SHEET:	1/1

REV	ECN	DESCRIPTION	DRT	DATE	SIZE: A2	TYPE: CUSTOMER DRAWING	SCALE: 2:1	REV	T0
1									
2									
3									
4									
5									
6									