

REVISION RECORD

REV	ECN	DESCRIPTION	DRFT	DATE
-----	-----	-------------	------	------

H

G

F

E

D

C

B

A

H

G

F

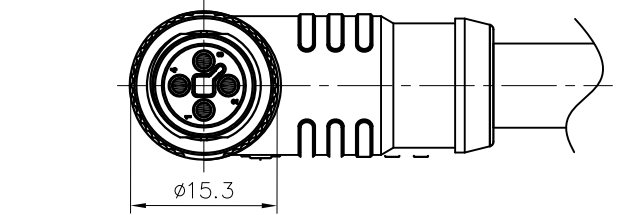
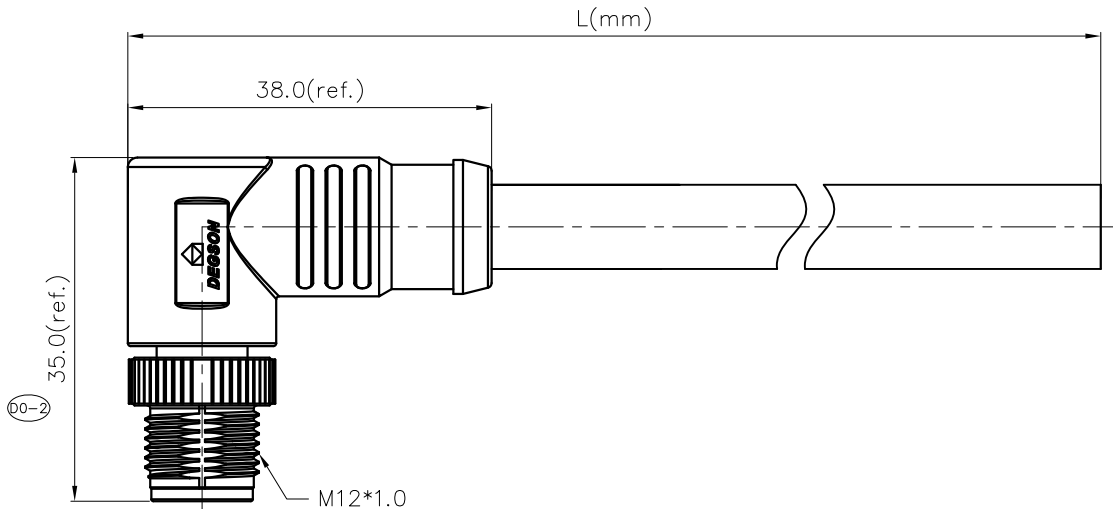
E

D

C

B

A



NOTES:

- Rated voltage/current : 3pin T:63V / 12A
4pin T:63V / 12A
- Withstanding voltage : 3pin: AC1126V/1Min
4pin: AC1126V/1Min
- Levels of protection:IP68
- Cable specifications :
3pin T: 3C*16AWG/1.5mm²,UL2464/UL20549
4pin T: 4C*16AWG/1.5mm²,UL2464/UL20549
- Wire connection mode:soldering
- Operating temperature:-25°C~+80°C
- RoHS Compliance
- Tolerance : ±0.5mm

PM-M12T-XXP-MM-SR8XXX-00A(H)

Pin number: 03,04

Cable length L:
01: 1M

Cable jacket:
A: PVC UL2464;
B: PUR UL20549

99: 99M
The line grows business trip:
01~05m: ± 50mm
06~10m: ± 100mm
11~30m: ± 200mm
31~99m: ± 500mm

3pin T Coding		4pin T Coding	
Pin Assignments Front View		Pin Assignments Front View	
4	Black	4	Black
3	Blue	3	Blue
1	Brown	2	White
Pin	Wire Color	Pin	Wire Color
Pin Out		Pin Out	

DETACHED LISTS	PART NO.: PMM12TXXPMMSR8XXX00AH		宁波高松电子有限公司 NINGBO DEGSON ELECTRICAL CO., LTD	
	APPD:	NAME: PM-M12T-XXP-MM-SR8XXX-00A(H)		
	CHKD:			
	DRFT: SQ 2019.06.18	TITLE: CUSTOMER DRAWING	REV	D0-2
	THIRD ANGLE PROJECTION		DRAWING NO.: XXXXXXXX-XX-CXX	SHEET 1/1
		MM (INCH)	DO NOT SCALE DRAWING	SCALE 1:1