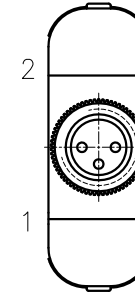
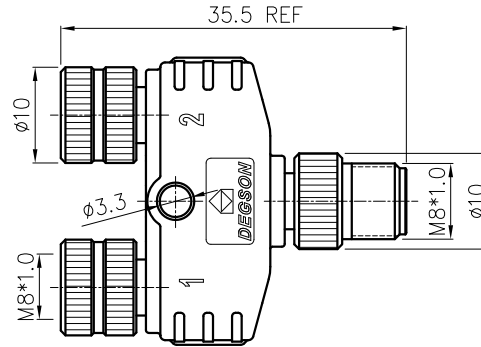
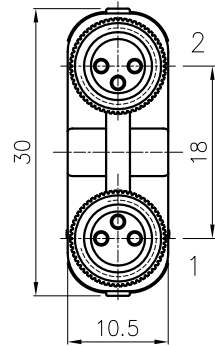
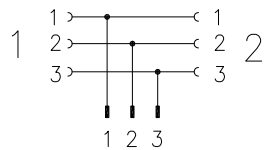


REVISION RECORD

| REV | ECN | DESCRIPTION | DRFT | DATE |
|-----|-----|-------------|------|------|
|     |     |             |      |      |



Circuit diagram:



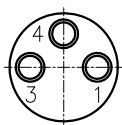
NOTES:

- 1.RoHS Compliance,
- 2.The Code direction is shown as diagram,
- 3.Housing material: PU(Color: black),
- 4.Contact body material: PU(Color: black),
- 5.Contact material: Copper alloy,(plating: gold)
- 6.O Ring material: Silicone,(Color: green)
- 7.Screw material: Copper alloy (plating: Ni),

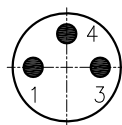
Technique parameter

|                       |             |
|-----------------------|-------------|
| Rated voltage         | 60V         |
| Rated current         | 3A          |
| Insulation resistance | ≥100MΩ      |
| Withstanding voltage  | 500V AC     |
| Operating temperature | -25°C~+85°C |
| Levels of protection  | IP67        |
| Cable OD              | /           |

Female(Front view)



Male(Front view)



Dimensional tolerance (mm)

| ≤30   | 30 ~ 60 | 60 ~ 100 | 100 ~ 150 | >150  |
|-------|---------|----------|-----------|-------|
| ±0.20 | ±0.30   | ±0.50    | ±0.70     | ±1.00 |

|                        |                                  |   |       |      |
|------------------------|----------------------------------|---|-------|------|
| DETACHED LISTS         | PART NO.:<br>FYM8A03MM8A03FT0100 | 宁波高松电子有限公司<br>NINGBO DEGSON ELECTRICAL CO., LTD |       |      |
|                        | APPD:                            | NAME:<br>FY-M8A-03M-M8A-03F-T-0100              |       |      |
|                        | CHKD:                            | TITLE: ASSEMBLY DRAWING                         |       |      |
|                        | DRFT: WYM 2019/05/23             | DRAWING NO.: 20000426                           | REV   | TO-1 |
| THIRD ANGLE PROJECTION |                                  | DO NOT SCALE DRAWING                            | SHEET | 1/1  |
|                        |                                  | SCALE   | 1:1   |      |