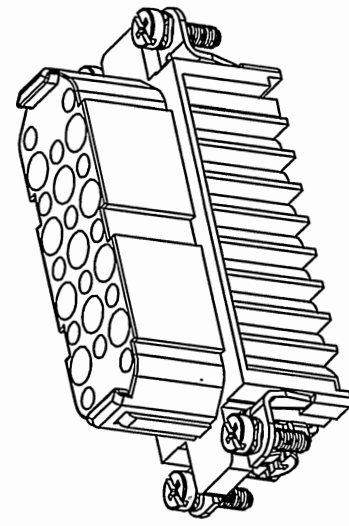
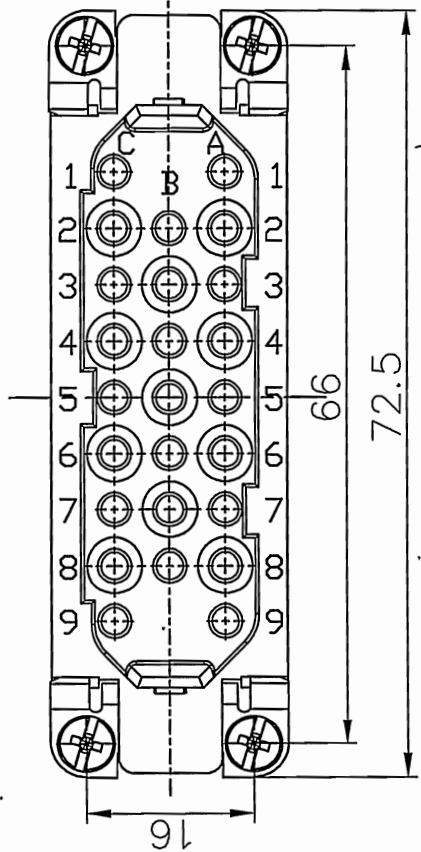
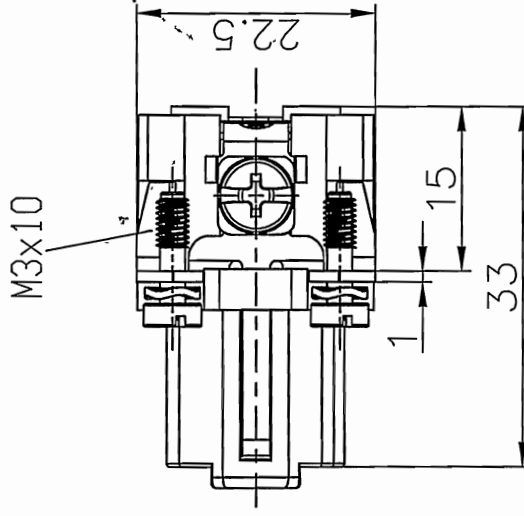


REVISION RECORD				
REV	ECN	DESCRIPTION	DRFT	DATE



Technical characteristics:

Specifications
 DIN EN 60 664-1
 DIN EN 61 984

Inserts

- 01. Number of contacts :25+PE
- 02. Rated Current :10A
- 03. Rated Voltage :250V
- 04. Pollution degree :3
- 05. Rated impulse voltage :4kv¹⁰
- 06. Insulation resistance :≥10Ω
- 07. Material:Polycarbonate
- 08. Rated voltage acc. to UL/CSA:600V
- 09. Limiting temperatures :-40℃~+125℃
- 10. Flammability acc. to UL94:V0
- 11. Mechanical working life (mating cycles) :≥500

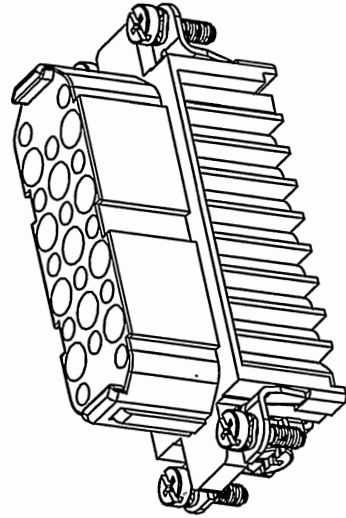
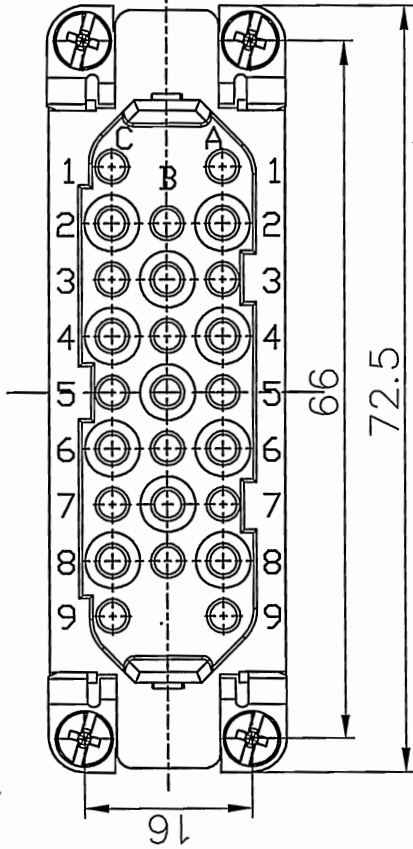
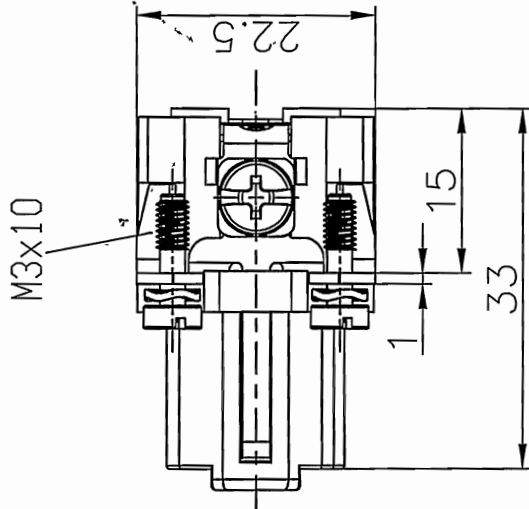
Contacts

- 01. Material:Copper alloy
- 02. Surface:hard-silver plated
- 03. Contact resistance :≤3mΩ
- 04. Terminal :Crimp terminal
- 05. Wire gauge :0.14-2.5mm² (AWG 26-14)
- 06. Stripping length :8.0mm
- 07. Rohs Compliance

Note:Crimp contact pins should order separately

PART NO. /		NINGBO DEGSON ELECTRICAL CO.,LTD 宁波高松电子有限公司	
APPD: HJS 2016.8.27	NAME:	DD-025-FC	
CHKD: Lin 2016.8.25	TITLE: CUSTOMER DRAWING	REV	DO
DRFT: Mr. Yang 2016.07.25	DRAWING NO. /	SHEET	1/1
THIRD ANGLE PROJECTION		DO NOT SCALE DRAWING	SCALE 1.5:1

REVISION RECORD				
REV	ECN	DESCRIPTION	DRFT	DATE



Technical characteristics:

Specifications
DIN EN 60 664-1
DIN EN 61 984

Inserts

- 01. Number of contacts :25+PE
- 02. Rated Current :10A
- 03. Rated Voltage :250V
- 04. Pollution degree :3
- 05. Rated impulse voltage :4kv¹⁰
- 06. Insulation resistance :≥10¹⁰Ω
- 07. Material:Polycarbonate
- 08. Rated voltage acc. to UL/CSA:600V
- 09. Limiting temperatures :-40℃~+125℃
- 10. Flammability acc. to UL94:V0
- 11. Mechanical working life (mating cycles) :≥500

Contacts

- 01. Material:Copper alloy
- 02. Surface:hard-silver plated
- 03. Contact resistance :≤3mΩ
- 04. Terminal :Crimp terminal
- 05. Wire gauge :0.14-2.5mm² (AWG 26-14)
- 06. Stripping length :8.0mm
- 07. Rohs Compliance

Note:Crimp contact pins should order separately

PART NO. /		NINGBO DEGSON ELECTRICAL CO.,LTD 宁波高松电子有限公司	
APPD: HJS 2016.8.27	NAME:	DD-025-FC	
CHKD: Lin 2016.8.25	TITLE: CUSTOMER DRAWING	REV	DO
DRFT: Mr. Yang 2016.07.25	DRAWING NO. /	SHEET	1/1
THIRD ANGLE PROJECTION		DO NOT SCALE DRAWING	
SCALE 1.5:1			