

REVISION RECORD				
REV	ECN	DESCRIPTION	DRFT	DATE

Technical characteristics:

Specifications
 DIN EN 60 664-1
 DIN EN 61 984

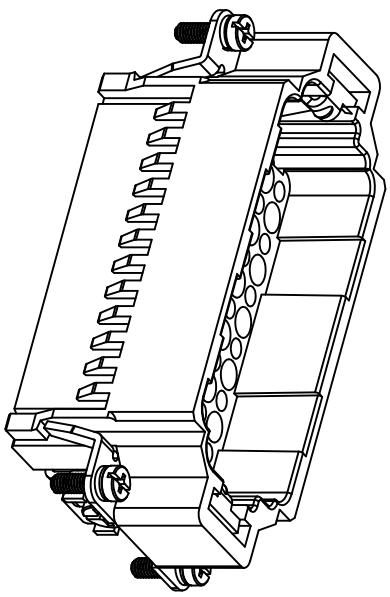
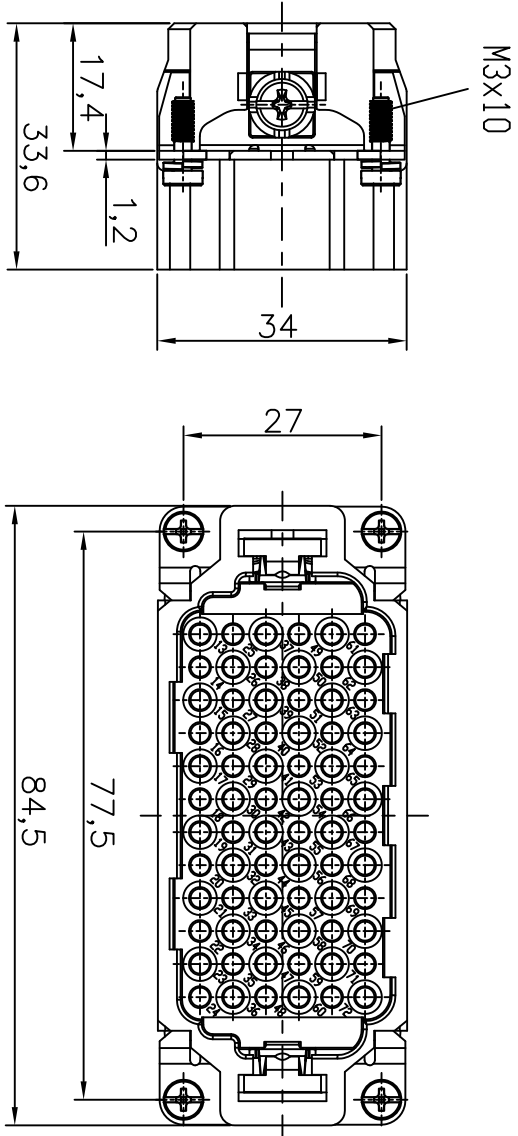
Inserts

01. Number of contacts : 72+PE
02. Rated Current : 10A
03. Rated Voltage : 250V
04. Pollution degree : 3
05. Rated impulse voltage : 4kV¹⁰
06. Insulation resistance : $\geq 10^9 \Omega$
07. Material: Polycarbonate
08. Rated voltage acc. to UL/CSA: 600V
09. Limiting temperatures : -40°C ~ +125°C
10. Flammability acc. to UL94: V0
11. Mechanical working life (mating cycles) : ≥ 500

Contacts

01. Material: Copper alloy
02. Surface: hard-silver plated
03. Contact resistance : $\leq 3m\Omega$
04. Terminal : Crimp terminal
05. Wire gauge : 0.14-2.5mm² (AWG: 26-14)
06. Stripping length : 6-8mm

Note: Crimp contact pins should order separately



DETACHED LISTS			
PART NO.:	/	NINGBO DEGSON ELECTRICAL CO., LTD	
APPD:		宁波高松电子有限公司	
CHKD:		DDD-072-MC	
DRFT:	Mr. Yang	2016.09.25	TITLE: CUSTOMER DRAWING
THIRD ANGLE PROJECTION		DRAWING NO.:	DDD-072-MC-E01
		SCALE	DO NOT SCALE DRAWING
		REV	DO-1
		SHEET	1/1
		SCALE	1:1

A 8 7 6 5 4 3 2 1