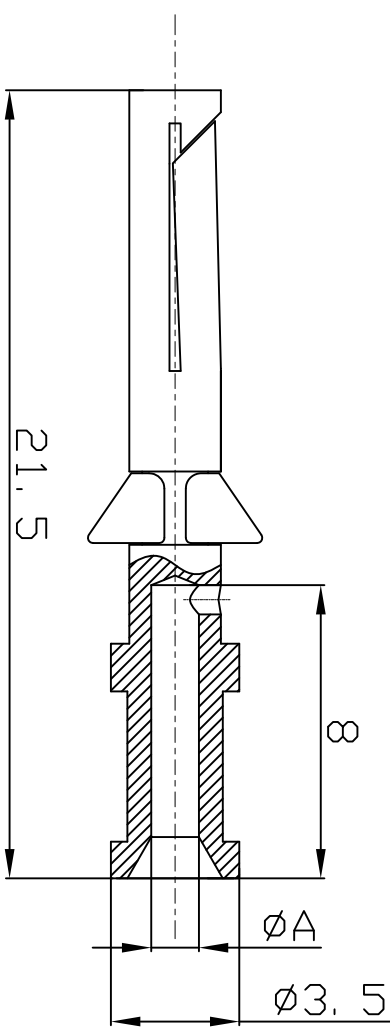


REVISION RECORD				
REV	ECN	DESCRIPTION	DRFT	DATE

Contacts, silver-plated	(∅A)	Wire gauge		Recommended stripping length
		(mm ²)	(AWG)	
◆ 10A-SF-0.37	0.9	0.14-0.37	26-22	8mm
10A-SF-0.5	1.1	0.50	20	8mm
10A-SF-0.75	1.3	0.75	18	8mm
10A-SF-1.0	1.45	1.00	18	8mm
10A-SF-1.5	1.75	1.50	16	8mm
10A-SF-2.5	2.25	2.50	14	6mm



- Crimp contacts
01. Material :Copper alloy
 02. Surface :hard-silver plated
 03. Contact resistance : ≤3mΩ
 04. Terminal :Crimp connection
 05. Wire gauge : 0.37-2.5mm² (AWG 22-14)
 06. Rohs Compliance

DETACHED LISTS		NINGBO DEGSON ELECTRICAL CO., LTD 宁波高松电子有限公司	
PART NO.:	/	NAME:	10A-Female Contacts
APPD:		TITLE:	CUSTOMER DRAWING
CHKD:		DRAWING NO.:	/
DRFT:	Mr. Yang 2016.08.08	DO NOT SCALE DRAWING	SCALE
THIRD ANGLE PROJECTION		REV	DO
		SHEET	1/1
		SCALE	5:1

A 8 7 6 5 4 3 2 1