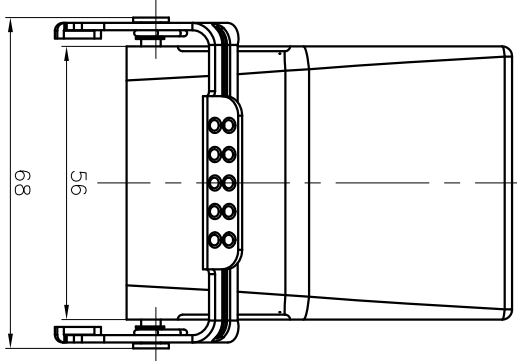
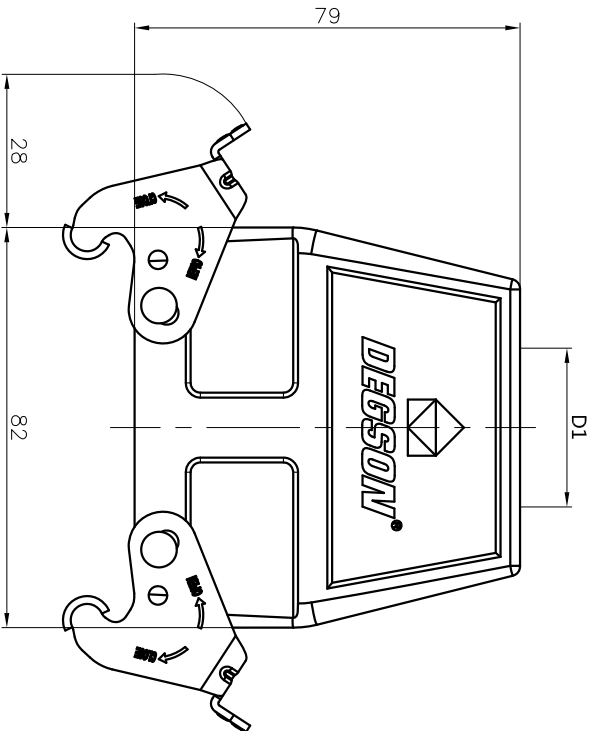
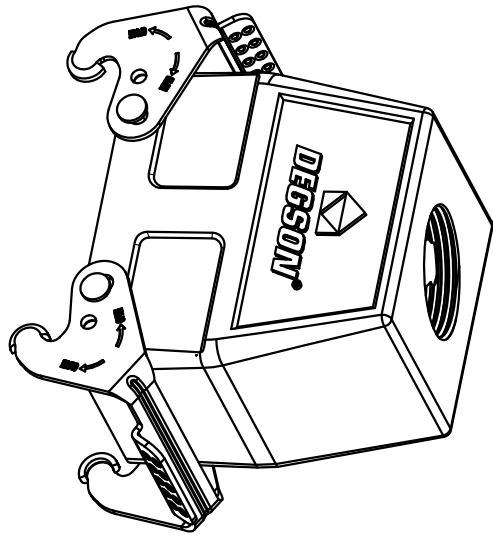


REVISION RECORD				
REV	ECN	DESCRIPTION	DRFT	DATE

H	TYPE	Thread(D1)	Selection
	D32A-TEH-2L-M25	M25	
	D32A-TEH-2L-M32	M32	
	D32A-TEH-2L-PG21	PG21	
	D32A-TEH-2L-PG29	PG29	



- Hoods Feature
- 01. Material:Aluminium die-cast
 - 02. Surface:Powder-coated
 - 03. Color:grey (RAL 7037)
 - 04. Material: Metal (Lever)
 - 05. Limiting temperatures: -40℃~+125℃
 - 06. Flammability acc to UL94:V0
 - 07. Degree of protection acc. to EN60529 for coupled connector: IP65
 - 08. Rohs Compliance

DETACHED LISTS			
PART NO.:	DEGSON NINGBO DEGSON ELECTRICAL CO.,LTD	NAME:	宁波高松电子有限公司
APPD:		TITLE:	CUSTOMER DRAWING
CHKD:		DRAWING NO.:	
DRFT:	Mr. yong 2016.08.15	REV:	DO-1
THIRD ANGLE PROJECTION		SCALE:	1:1.5
		DO NOT SCALE DRAWING	

A 8 7 6 5 4 3 2 1