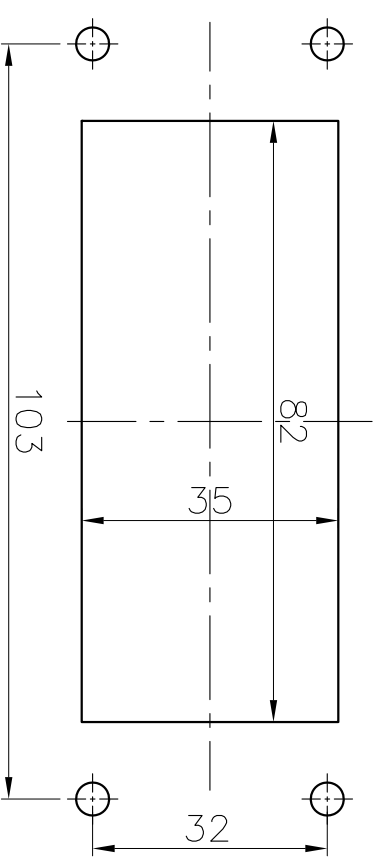
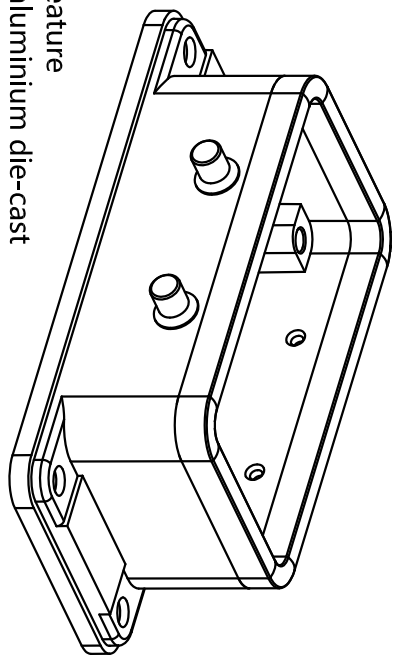
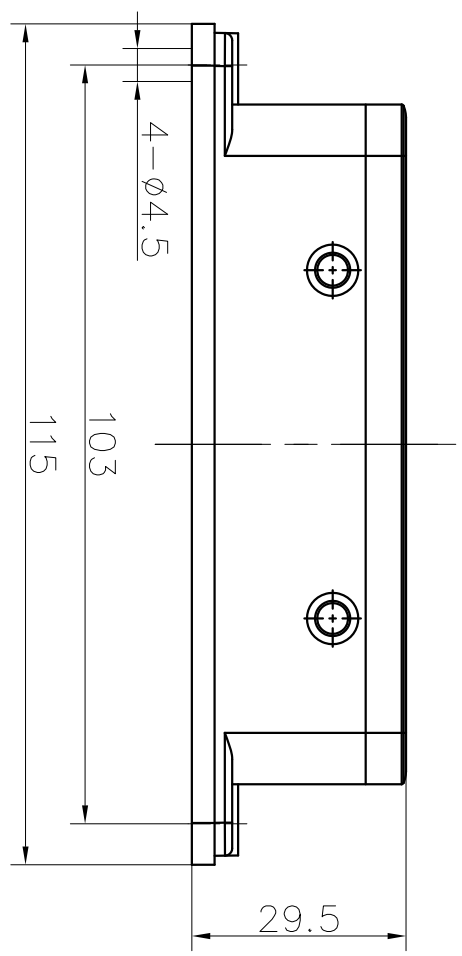
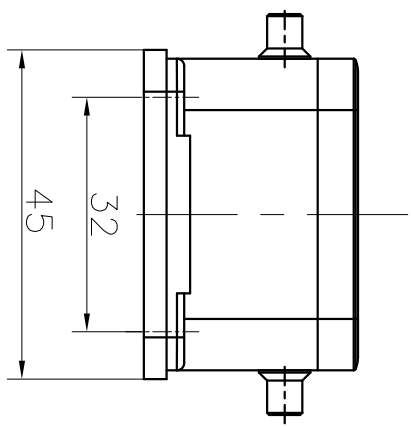


REVISION RECORD				
REV	ECN	DESCRIPTION	DRFT	DATE



Panel cut out

- Housings Feature**
1. Material: aluminium die-cast
 2. Surface: Powder-coated
 3. Color: grey (RAL 7037)
 4. Sealing: NBR
 5. Limiting temperatures: -40°C ~ +125°C
 6. Flammability acc to UL94: V0
 7. Degree of protection acc to IP65
 8. Rohs compliance

DETACHED LISTS			
PART NO.:	/	NAME:	DEGSON 宁波高松电子有限公司 NINGBO DEGSON ELECTRICAL CO., LTD
APPR:		DRAWING NO.:	D16B-BK-4g
CHKD:		TITLE:	CUSTOMER DRAWING
DRFT:	Mr. yong 2017/06/28	THIRD ANGLE PROJECTION	DO NOT SCALE DRAWING
REV	DO-1	SHEET	SCALE
1/1		1/1	1:1