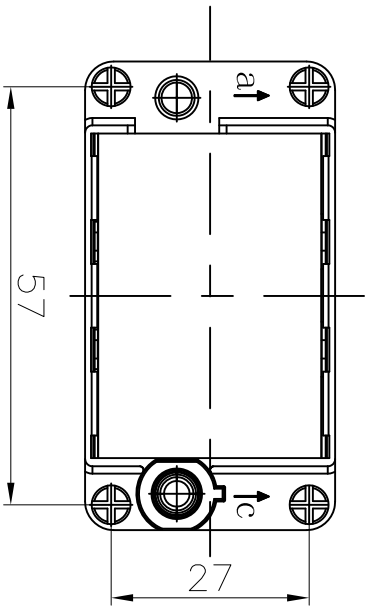
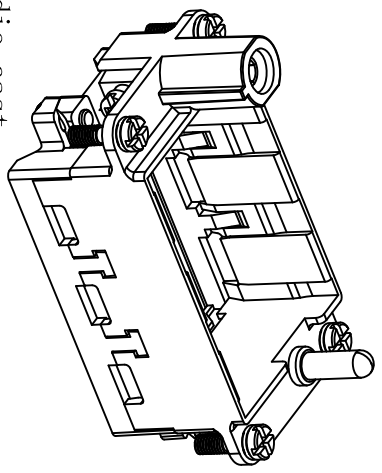
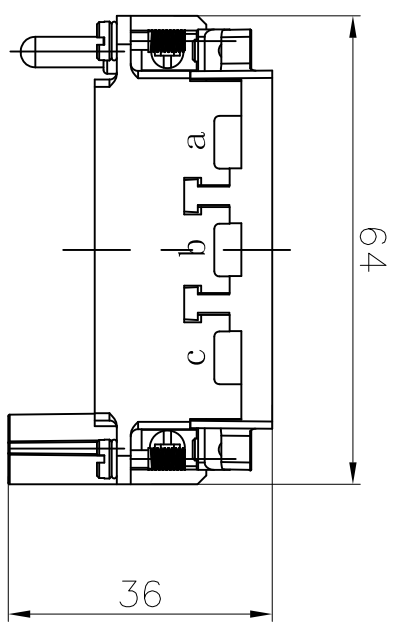
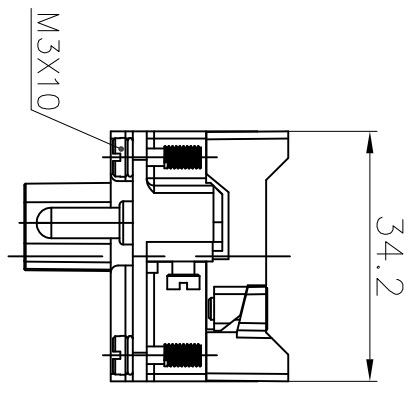


REVISION RECORD				
REV	ECN	DESCRIPTION	DRFT	DATE



- Modular
1. Material: Zinc die-cast
 2. Marking: a-c
 3. Number for modules: 3 modules
 4. Power side: 4~10mm²
 5. AWG: 12-8
 6. Signal side: 1~2.5mm²
 7. AWG: 18-14
 8. Rohs Compliance

DETACHED LISTS			
PART NO.:	/	NAME:	DEGSON 宁波高松电子有限公司 NINGBO DEGSON ELECTRICAL CO., LTD
APPD:		TITLE:	CUSTOMER DRAWING
CHKD:		DRAWING NO.:	DF10B-LA-E01
DRFT:	Mf.yong2016.06.18	DO NOT SCALE DRAWING	SCALE
THIRD ANGLE PROJECTION		REV	DO-1
		SHEET	1/1
		SCALE	1:1