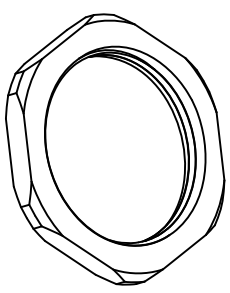
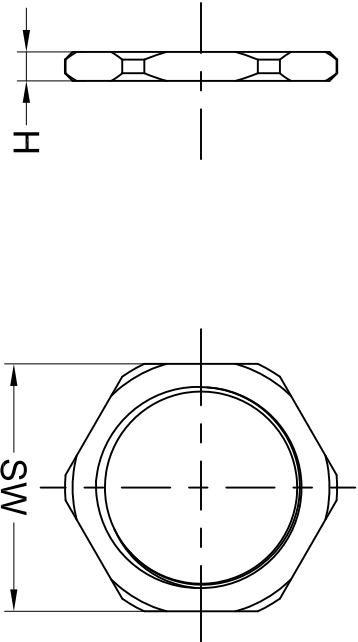


REVISION RECORD				
REV	ECN	DESCRIPTION	DRFT	DATE

Metric	PG	Thickness (H)	SW	Type
	Pg7	2.5	14	DLM-PG7M
	Pg9	2.8	18	DLM-PG9M
	Pg11	3.0	20	DLM-PG11M
	Pg13.5	3.0	23	DLM-PG13.5M
	Pg16	3.0	24	DLM-PG16M
	Pg21	3.5	31	DLM-PG21M
	Pg29	4.0	40	DLM-PG29M
	Pg36	5.0	52	DLM-PG36M
	Pg42	5.0	58	DLM-PG42M
	Pg48	5.5	64	DLM-PG48M
E	M12x1.5	2.5	14	DLM-M12M
	M16x1.5	2.8	18	DLM-M16M
	M20x1.5	3.0	22	DLM-M20M
D	M25x1.5	3.0	27	DLM-M25M
	M32x1.5	3.5	35	DLM-M32M
	M40x1.5	4.5	43	DLM-M40M
	M50x1.5	5.0	55	DLM-M50M
C	M63x1.5	5.5	68	DLM-M63M



Metal lock nut
 Material: Brass nickel plated
 Temperature range: -40~100°C

PART NO.: /		NINGBO DEGSON ELECTRICAL CO., LTD 宁波高松电子有限公司	
APPD:	NAME:	Metal lock nut	
CHKD:	TITLE:	CUSTOMER DRAWING	
DRFT: Mr. Yang2016.08.18	DRAWING NO.:	REV	DO-1
THIRD ANGLE PROJECTION	SCALE	SHEET	1/1
1:1 (INCH)	DO NOT SCALE DRAWING	SCALE	

8 7 6 5 4 3 2 1