

REVISION RECORD				
REV	ECN	DESCRIPTION	DRFT	DATE

Technical characteristics:

Specifications  
 DIN EN 60 664-1  
 DIN EN 61 984

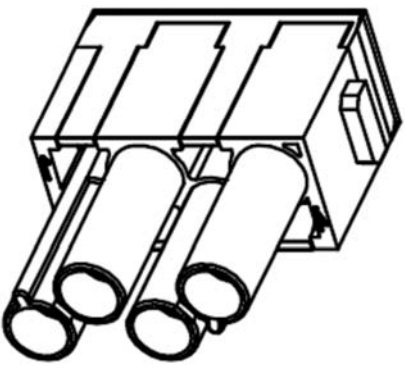
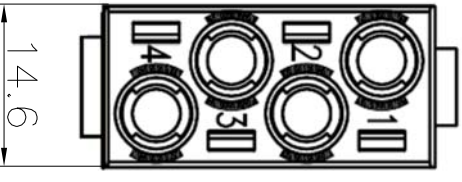
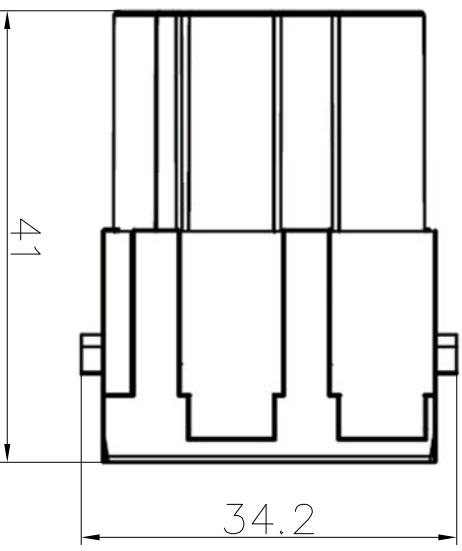
Inserts

- 01. Number of contacts : 4
- 02. Rated Current : 40A
- 03. Rated Voltage : 830V
- 04. Pollution degree : 3
- 05. Rated impulse voltage : 8kV<sup>10</sup>
- 06. Insulation resistance :  $\geq 10^9 \Omega$
- 07. Material : Polycarbonate
- 08. Rated voltage acc. to UL : 600V
- 09. Limiting temperatures : -40°C ~ +125°C
- 10. Flammability acc. to UL94 : V0
- 11. Mechanical working life (mating cycles) :  $\geq 500$

Contacts

- 01. Material : Copper alloy
- 02. Surface : hard-silver plated
- 03. Contact resistance :  $\leq 0.3m\Omega$
- 04. Terminal : Crimp terminal
- 05. Wire gauge : 1.5-6mm<sup>2</sup> (AWG: 16-10)
- 06. Rohs Compliance

Note: Crimp contact pins should order separately



A 8

B 7

C 6

D 5

E 4

F 3

G 2

H 1

DETACHED LISTS			
PART NO.:	/	NINGBO DEGSON ELECTRICAL CO., LTD	
APPD:		宁波高松电子有限公司	
CHKD:		DMK-004-FC	
DRFT:	YONG	2016.08.22	TITLE: CUSTOMER DRAWING
			REV: DO-1
			SHEET: 1/1
			SCALE: 1.5:1
			DO NOT SCALE DRAWING
			THIRD ANGLE PROJECTION

A

B

C

D

E

F

G

H