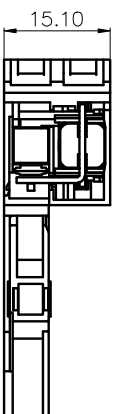
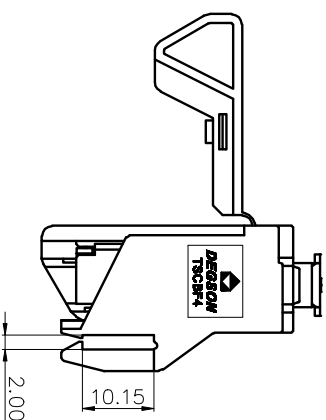
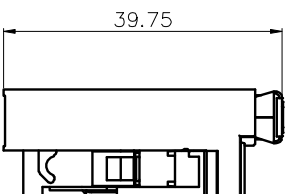
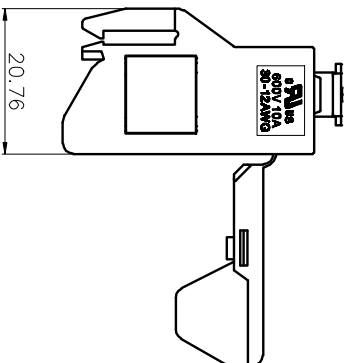
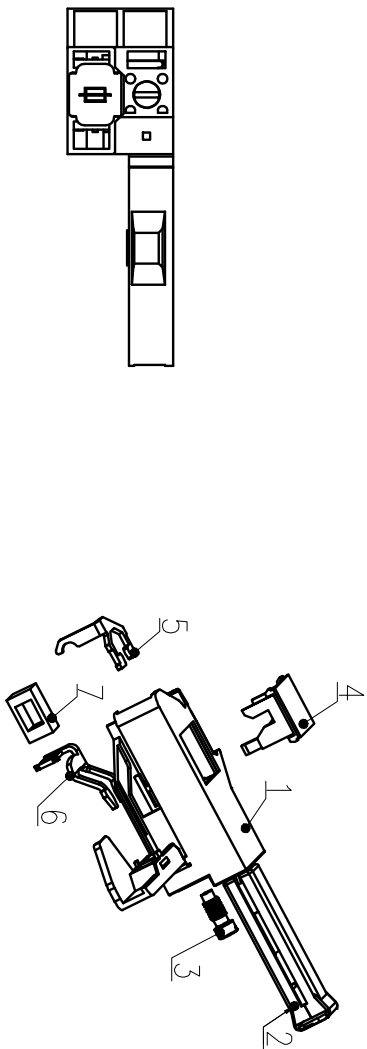


精度等级/General Tolerances(mm)		尺寸/Dimension											
0	>3	>6	>10	>18	>30	>50	>80	>120	>180	>280	>315	>400	0.1/1.0
~	~	~	~	~	~	~	~	~	~	~	~	~	~
3	6	10	18	30	50	80	120	180	280	315	400	500	±Z
±0.12	±0.18	±0.22	±0.26	±0.31	±0.37	±0.57	±0.80	±0.93	±1.05	±1.15	±1.60	±2.20	±2.50



REV	ECN	DESCRIPTION	DRFT	DATE	SIZE: A4	TYPE: CUSTOMER DRAWING	SCALE: 1:1	SHEET

7	Cage	Copper alloy	M3/Ni Plated	
6	Current carrier	Copper alloy	Sn Plated	
5	Pin header	Copper alloy	Sn Plated	
4	Cover	PA66	UL94V-0	
3	Screw	Copper alloy	M3/Ni Plated	
2	Fuse holder	PA66	UL94V-0	
1	Housing	PA66	UL94V-0	
ITEM	NAME OF PART	MATERIAL	NOTES	
UL 标准 /UL Standard:		B	C	D
额定电压/电涌/Rated Voltage(V)/Current(A)		600/10	600/10	/
IEC 标准 /IEC Standard:				
过压类别/Overvoltage Category/污秽等级/Pollution Degree		III/2		
额定电压/电涌/Rated Voltage(V)/Current(A)		750/10		
工频耐压/Withstanding voltage		AC3000V/1min		
螺栓扭矩/Torque Tightening(N·m/Lb·in)		M3: 0.5/4.43		
线径范围(硬线和软线)/Wire Range(rigid and flexible)(mm²/AWG)		0.2~4/30~12		
剥线长度/Stripping length(mm)		8~9		
使用温度范围/Operating Temperature(°C)		-40~+105		
符合RoHS环保要求/Conform to RoHS		Yes		
标准颜色编号/Standard color number: RAL		RAL 2000		

**DEGSON** 宁波高松电子有限公司  
NINGBO DEGSON ELECTRICAL CO., LTD

NAME: TSCBF4-01P-15-01A(H)

DRAWING NO.: TSCBF4-C04

TYPE: CUSTOMER DRAWING SCALE: 1:1 SHEET 1/1