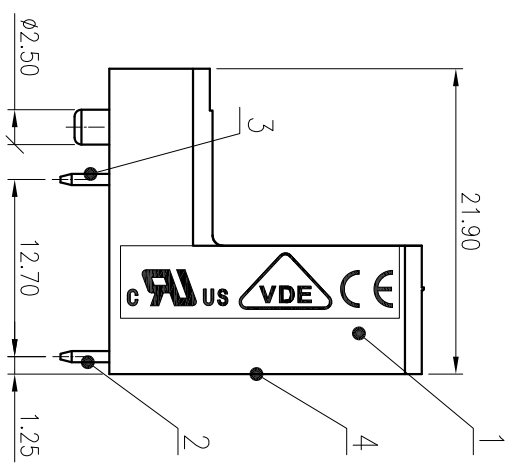
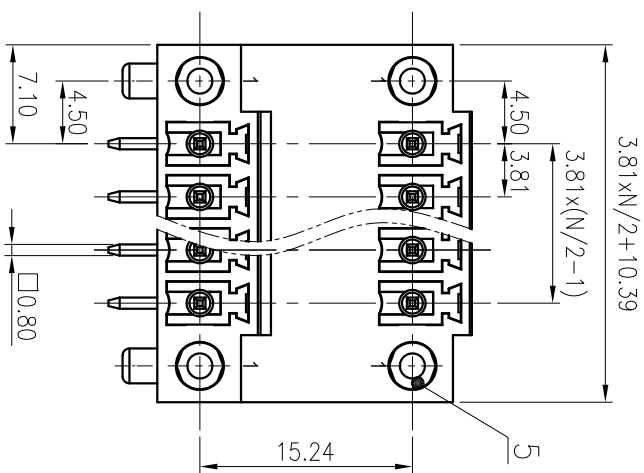
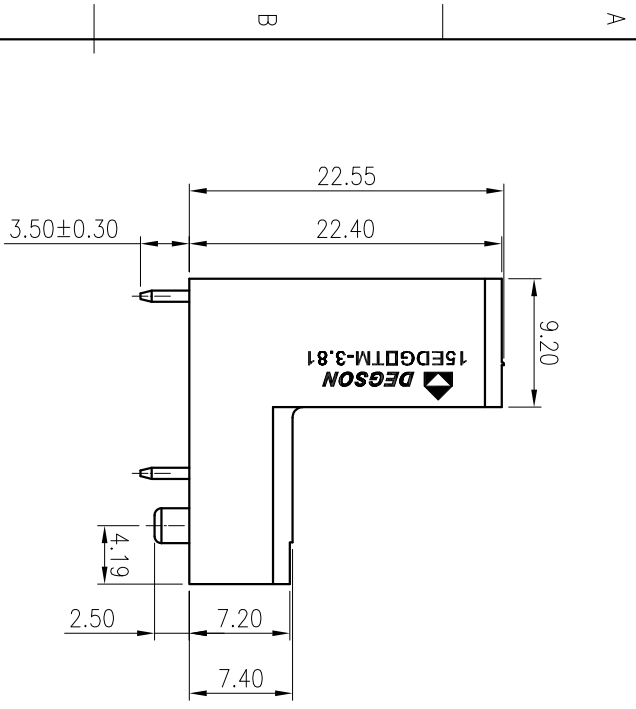
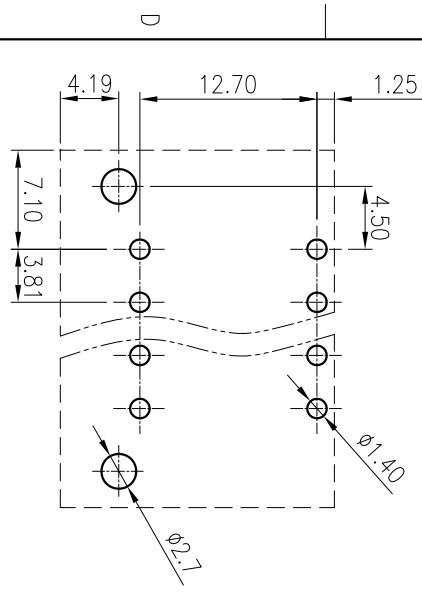


标注公差/General Tolerances(mm)	0	>3	>6	>10	>18	>30	>50	>80	>120	>180	>250	>315	>400	>500	0.1/10
±0.12	±0.18	±0.22	±0.26	±0.31	±0.37	±0.57	±0.80	±0.93	±1.05	±1.15	±1.60	±2.20	±2.50	±2	±2



PCB LAYOUT



ITEM	NAME OF PART	MATERIAL	NOTES
5	Screw cap	Copper alloy	M2.5
4	Cover	PA66	UL94V-0
3	Pin 2	Copper alloy	Sn plated
2	Pin 1	Copper alloy	Sn plated
1	Housing	PA66	UL94V-0

UL 标准/UL Standard:	B	C	D
额定电压/Rated Voltage(V)/Current(A)	300/8	/	/
IEC 标准/IEC Standard:	/	/	/
过压类别/Overvoltage Category/污染等级	III/3	III/2	II/2
额定电压/电流/Rated Voltage(V)/Current(A)	/	/	250/7
额定脉冲电压/(KV)/Rate Impulse Voltage (KV)	/	/	2.5
间距/Pitch(mm)/线数范围/Poles	3.81/N=04~48P		
使用温度范围/Operating Temperature(C)	-40~+105		
符合RoHS环保要求/Conform to RoHS	Yes		

MATERIAL:	SURFACE:
MAT NO.:	/
STATUS:	/
APPD:Ln	ChH 2020.05.26
CHKD:Yu	JZh 2020.05.26
DRAFT: Wu	Lf 2020.05.26

NAME:	15EDGRTM-3.81-XXP-1Y-00A(H)
DRAWING NO.:	10002164
TYPE:	CUSTOMER DRAWING
SCALE:	2:1
REV	TO
SHEET	1/1

DEGSON 宁波高松电子有限公司
NINGBO DEGSON ELECTRICAL CO., LTD

REV	ECN	DESCRIPTION	DRAFT	DATE	SIZE	SCALE	SHEET
1					A4	2:1	1/1