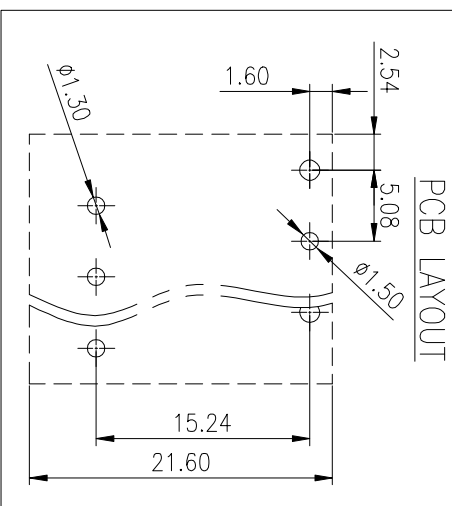


公差等级/General Tolerances(mm)		0.1/10	
0	>3	>10	>180
~	6	~	~
3	10	30	500
±0.12	±0.18	±0.22	±0.26
±0.31	±0.37	±0.57	±0.80
±1.05	±1.15	±1.60	±2.20
±2.50	±2.50	±2.50	±2.50
±Z	±Z	±Z	±Z



ITEM	NAME OF PART	MATERIAL	NOTES
6	Screw	Steel	Zn Plated
5	Cage	Copper alloy	Ni Plated
4	Header 2	Copper alloy	Sn Plated
3	Header 1	Copper alloy	Sn Plated
2	Housing 2	PA66	UL94V-0
1	Housing 1	PA66	UL94V-0

UL 标准/UL Standard: B C D
 额定电压/电涌/Rated Voltage(V)/Current(A) 300/20 / 300/70
 IEC 标准/IEC Standard: B C D
 过压类别/Overvoltage Category/污染等级 III/3 III/2 II/2
 额定电压/电涌/Rated Voltage(V)/Current(A) / 250/18 /
 工频耐压/Withstanding Voltage(V/min) / AC2000
 拧紧扭矩/ Torque Tightening(N·m/Lb·in) M3, 0.5/4.43
 线径范围(硬线和软线)/Wire Range(rigid and flexible)(mm²/AWG) 1.0~2.5/28~12
 间距/Pitch(mm)/Lead Length/oles 5.08/N=02~48P
 引线长度/Stripping length(mm) 6~7
 使用温度范围/Operating Temperature(°C) -40~+105
 符合RoHS环保要求/Conform to RoHS Yes

MATERIAL: /
 SURFACE: /
 MAT NO.: /
 STATUS: /

APPD: LGL 2020.06.18
 CHKD: MGEK 2020.06.18
 DRT: Zhuwm 2005.10.18

NAME: DG500A-5.08-XXP-1Y-1000A(H)
 DRAWING NO.: DG500A-5.08-C13

TYPE: CUSTOMER DRAWING
 SCALE: 2:1
 SHEET 1/1

REV	ECN	DESCRIPTION	DRT	DATE
1	2	3	4	5

