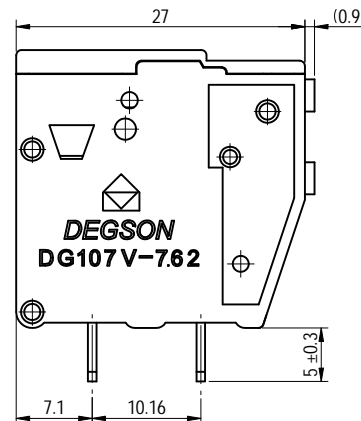
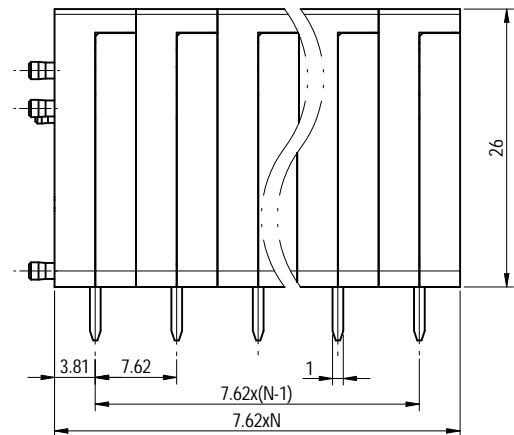
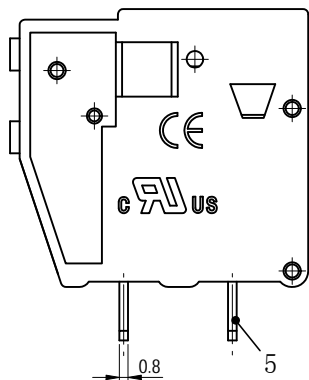
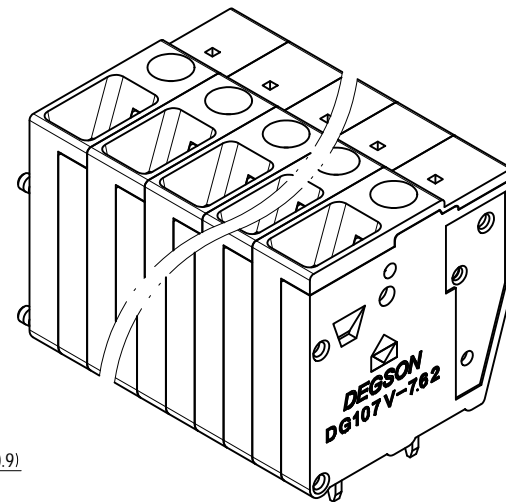
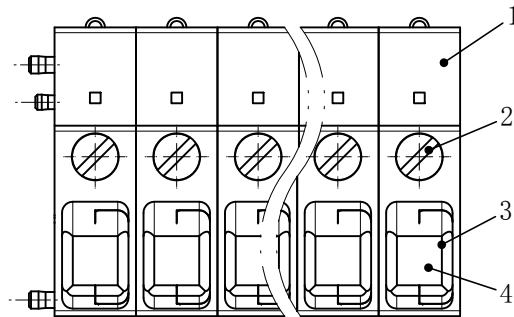
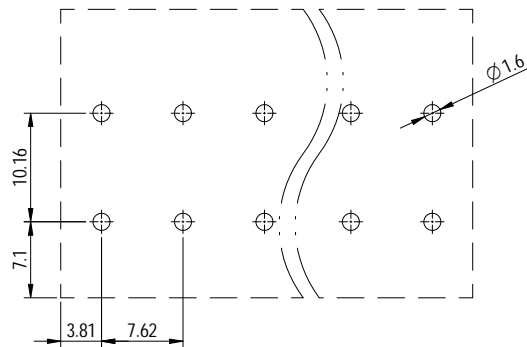


公差/General tolerances (mm)											0.1/10 ±2		
0	>3	>6	>10	>18	>30	>50	>80	>120	>180	>250			
~	~	~	~	~	~	~	~	~	~	~	>500		
±0.12	±0.18	±0.22	±0.26	±0.31	±0.37	±0.57	±0.80	±0.93	±1.05	±1.15	±1.60	±2.20	±2.50



PCB LAYOUT



Note:
The A&Z(H) in the name means: A(H) and Z(H).

ITEM	NAME OF PART	MATERIAL	NOTES
5	Pin header	Copper	Sn Plated
4	Slider	Steel	Zn Plated
3	Cage	Steel	M3/Zn Plated
2	Screw	Steel	M3/Zn Plated
1	Housing	PA66	UL94V-0

UL 标准/UL Standard:	B	C	D
额定电压/电流/Rated Voltage(V)/Current(A)	300/30	/	300/10
IEC 标准/IEC Standard:			
过压类别/Overvoltage Category/污染等级/Pollution Degree	III/3	III/2	II/2
额定电压/电流/Rated Voltage(V)/Current(A)	500/32	630/32	1000/32
额定脉冲电压(KV)/Rate Impulse Voltage(KV)	6	6	6
螺丝扭矩/Torque Tightening(N·m/Lb.in)	M3: 0.5/4.43		
线径范围(硬线和软线)/Wire Range(rigid and flexible)(AWG/mm²)	26~10/ 0.5~6.0		
间距/Pitch(mm)/线数范围/Poles	7.62/N=02~16P		
剥线长度/Stripping length(mm)	13~14		
使用温度范围/Operating temperature(°C)	-40~+105		
符合RoHS环保要求/Conform to RoHS	Yes		

DEGSON MATERIAL: SURFACE/COLOR: MAT NO./REV: - / 00 MAT STATUS: 批量

APPD: 竺春华 2022.12.12 NAME: DEGSON
CHKD: 陈超 2022.12.12
DRFT: 巴宇辉 2022.12.12
DRAWING NO. TYPE DRAWING STATUS SCALE SHEET
200124765 CUSTOMER DRAWING 已发布 2:1 1/1

REV	ECN	DESCRIPTION	DRFT	DATE
00			巴宇辉	2022.12.12

Transfer or duplication of this document as well as the utilization of its contents in any form without the written permission of DEGSON is prohibited. 复制或再行发布本文件以及以任何形式利用其内容，均须经 DEGSON 书面许可。未经许可擅自复制或再行发布本文件，以及以任何形式利用其内容，均属侵权行为。 All rights reserved for patent.