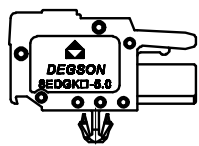
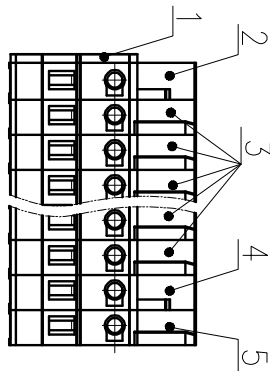
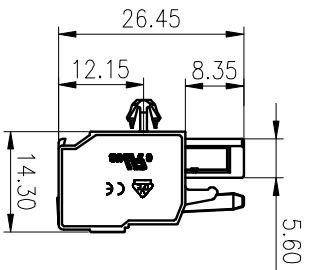
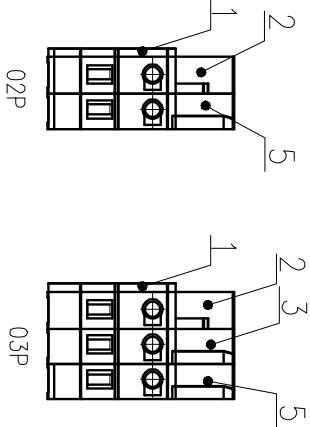
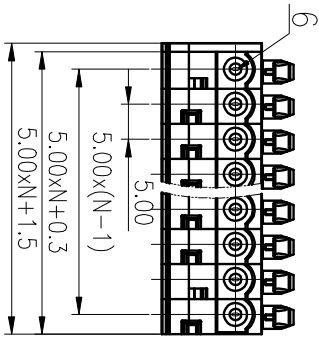
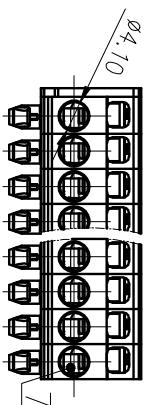


Pitch Range		In mm				Nominal Dimension				Range		In mm	
Over	Under	Over	Under	Over	Under	Over	Under	Over	Under	Over	Under	Over	Under
6	10	10	24	30	60	100	150	150	150	0.1	1.0		
TO	10	TO	24	TO	60	TO	TO	TO	TO				
±0.15	±0.20	±0.30	±0.30	±0.50	±0.70	±1.00	±1.30	±2.0	±2.0				



ITEM	NAME OF PART	MATERIAL	NOTES
1	Cover	PA66	UL94V-0
2	Side housing 1	PA66	UL94V-0
3	housing 1	PA66	UL94V-0
4	housing 2	PA66	UL94V-0
5	Side housing 2	PA66	UL94V-0
6	Clamp	Copper alloy	Sn plated
7	Spring	Stainless steel	

UL 标准/UL Standard:	B	C	D
额定电压/电压/Rated Voltage(V)/Current(A)	300/151	150/75	300/70
IEC 标准/IEC Standard:			
过压类别/Overvoltage Category/污秽等级/Pollution Degree	III/3	III/2	II/2
额定电压/电压/Rated Voltage(V)/Current(A)	320/20	/	/
额定脉冲电压(kV)/Rate Impulse Voltage(kV)	4	/	/
线芯范围(硬线和软线)/Wire Range(rigid and flexible)(mm ² /AWG)	0.2~2.5/22~14		
剥线长度/Stripping length(mm)	5.00/N=02~24P		
使用温度范围/Operating temperature(°C)	9~10		
符合RoHS环保要求/Conform to RoHS	-40~+105	Yes	
标准颜色编号/Standard color number:	428C		



MATERIAL:	/
MAT NO.:	/
STATUS:	/
APPD:	
CHKD:	
NAME:	DEGSON® NINGBO DEGSON ELECTRICAL CO., LTD 8EDGKC-5.0-XXP-11-01A(H)
DRAWING NO.:	8EDGKC-5.0-C02
TYPE:	CUSTOMER DRAWING
SCALE:	1:1
REV	TO
SHEET	1/1

REV	ECN	DESCRIPTION	DRAFT	DATE

