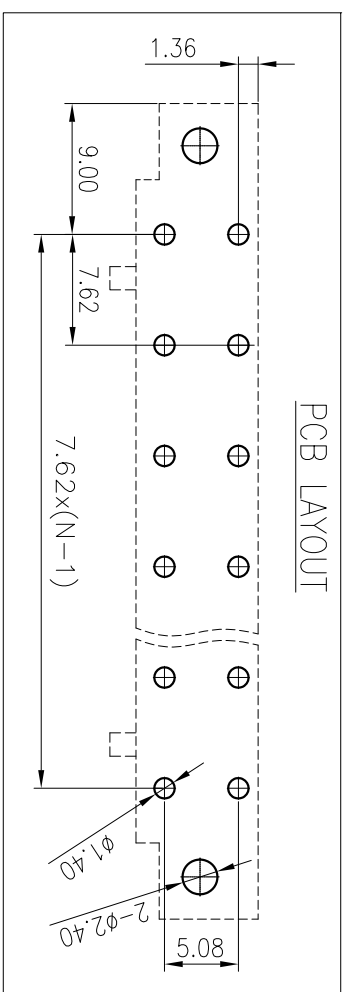
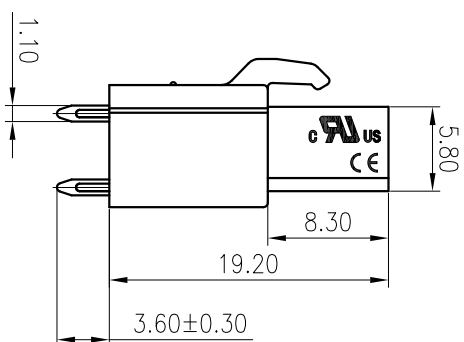
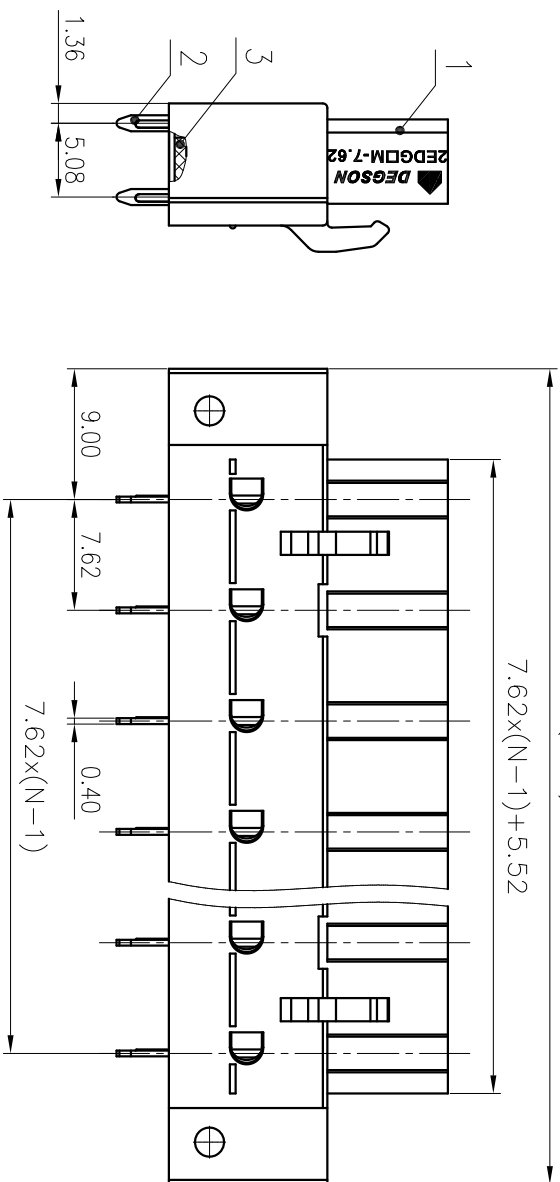


公差表/General tolerances(mm)		0	>3	>6	>10	>18	>30	>50	>80	>120	>180	>250	>315	>400	>500	0.1/10
~	~	~	~	~	~	~	~	~	~	~	~	~	~	~	~	±2'
±0.12	±0.18	±0.22	±0.26	±0.31	±0.37	±0.57	±0.80	±0.93	±1.05	±1.15	±1.60	±2.20	±2.50	±3.00	±3.00	±2'

UL 标准/UL Standard:	B	C	D
额定电压/电流/Rated Voltage(V)/Current(A)	300/15	/	300/10
EC 标准/IEC Standard:	/		
过压类别/Overvoltage Category/污染等级/ Pollution Degree	III/3	III/2	II/2
额定电压/电流/Rated Voltage(V)/Current(A)	400/20	400/20	1000/20
额定脉冲电压(kV)/Rate Impulse Voltage(kV)	4	4	4
间距/Pitch(mm)/线数范围/Poles	7.62/N=02~16P		
使用温度范围/Operating Temperature(°C)	-40~+105		
符合RoHS环保要求/Conform to RoHS	Yes		
标准颜色编号/Standard color number:	/		
PANTONE / RAL	/		



ITEM	NAME OF PART	MATERIAL	NOTES
4	Nut	Copper alloy	
3	Cover	PA66	UL94V-0
2	Pin header	Copper alloy	Sn Plated
1	Housing	PA66	UL94V-0

MATERIAL: / SURFACE: /

MAT NO.: /

STATUS: /

APPD: LiGL 2020.06.17 NAME: 宁波高松电子有限公司 NINGBO DEGSON ELECTRICAL CO., LTD

CHKD: MoJl 2020.06.17

DRFT: WangY2 2020.06.17 DRAWING NO.: 2EDGBM-7.62-C01

TYPE: CUSTOMER DRAWING SCALE: 2:1 SHEET 1/1

SIZE: A4 (mm) (inch)

REV	ECN	DESCRIPTION	DRFT	DATE